

Part number:

**HYDROMA**

HYDRAULICKÉ SYSTÉMY

**HIDROMA  
SYSTEMS**

UKŁADY HYDRAULICZNE

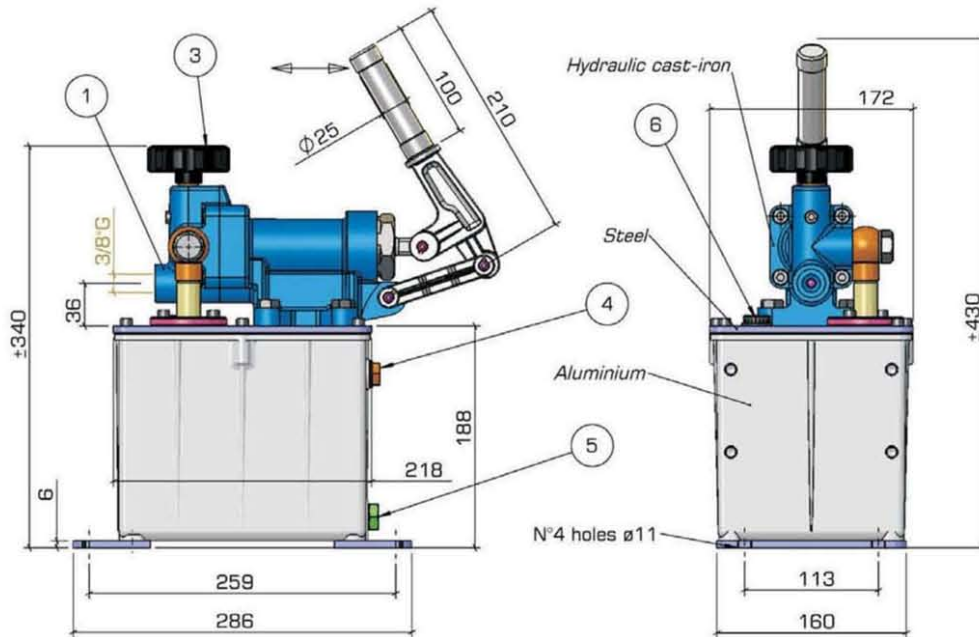
**HYDROMA**

ГИДРАВЛИЧЕСКИЕ СИСТЕМЫ

Hydraulic Hand Pumps - Foot Pedal Pumps  
Air-Hydraulic Pumps - Accessories

**Hydraulic Hand Pump Type GLB (20-30)**

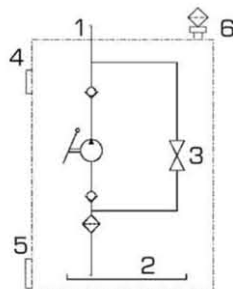
Double stroke function with release handknob for single acting cylinder



Peso - Weight ~11Kg

- 1 Mandata - Pressure Port
- 2 Serbatoio L 4 - Tank L 4
- 3 Release Handknob
- 4 Oil Level Indicator
- 5 Oil Discharge Plug 1/2\"G
- 6 Filler plug 1/2\"G

TYPE	DELIVERY cm <sup>3</sup>	PRESSURE BAR
GLB 20	18	460
GLB 25	29	320
GLB 28	36	250
GLB 30	42	220



Dimensions and characteristics not binding. Modifications reserved without prior notice.