

Part number:

**HYDROMA**

HYDRAULICKÉ SYSTÉMY

**HIDROMA  
SYSTEMS**

UKŁADY HYDRAULICZNE

**HYDROMA**

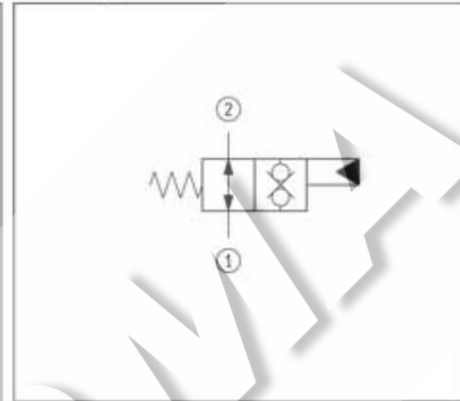
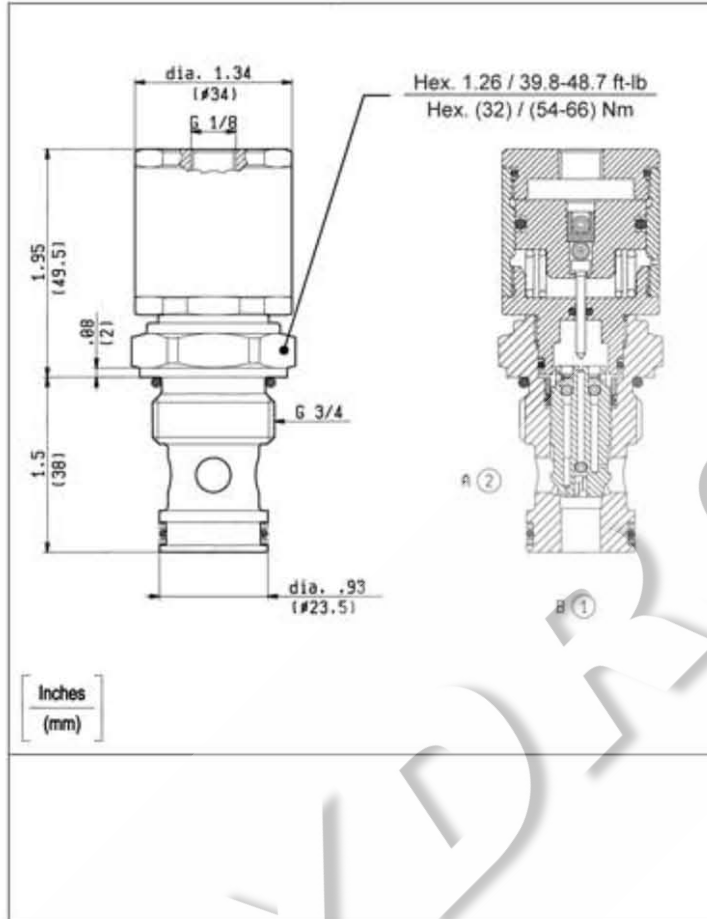
ГИДРАВЛИЧЕСКИЕ СИСТЕМЫ

**DIRECTIONAL CONTROL VALVES  
HYDRAULIC OPERATED POPPET 2-WAY DOUBLE LOCK  
NORMALLY OPEN SPECIAL CAVITY**

**VOI-8A-2T-09-NA-S**

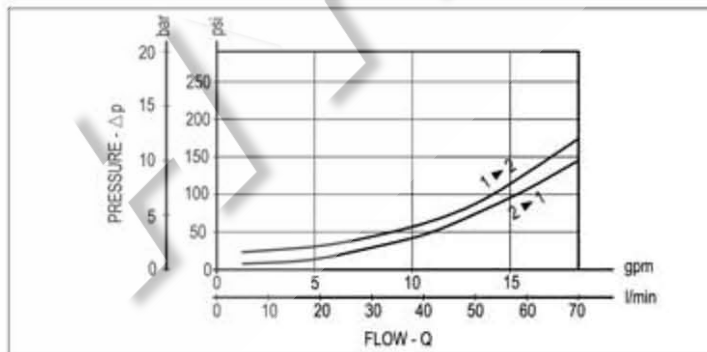
**017-E**

**OD.75.32.17 - Y - 00**



**TECHNICAL DATA**

Maximum Operating Pressure	5000 psi (350 bar)
Rated Flow	19 gpm (70 l/min)
Cavity - Tooling (017-E)	page CT.S.006.U
Line bodies	page MN2.S...
Weight	0.750 lbs (0.340 kg)
Fluids - Temperatures	page 7.01.040
Testing Conditions - Seals	page 7.01.040
Internal Leakage	page 7.01.040
Filtration : 25 µm nominal or better	page 7.01.050
Mounting Position	unrestricted



Y	PILOT PRESSURE		
	MIN.	psi (bar)	MAX.
14	29-44 (2-3)		218 (15)
34	218-290 (15-20)		725 (50)