

Part number:

HYDROMA

HYDRAULICKÉ SYSTÉMY

**HIDROMA
SYSTEMS**

UKŁADY HYDRAULICZNE

HYDROMA

ГИДРАВЛИЧЕСКИЕ СИСТЕМЫ

Manifolds

RE 18325-85/05.23
Replaces: 11.22

1/16

- Standard manifolds common cavity
- Standard manifolds special cavity
- Manifolds with emergency screw
- Manifolds with SUN cavity
- Manifolds with Rexroth special cavity



General specifications

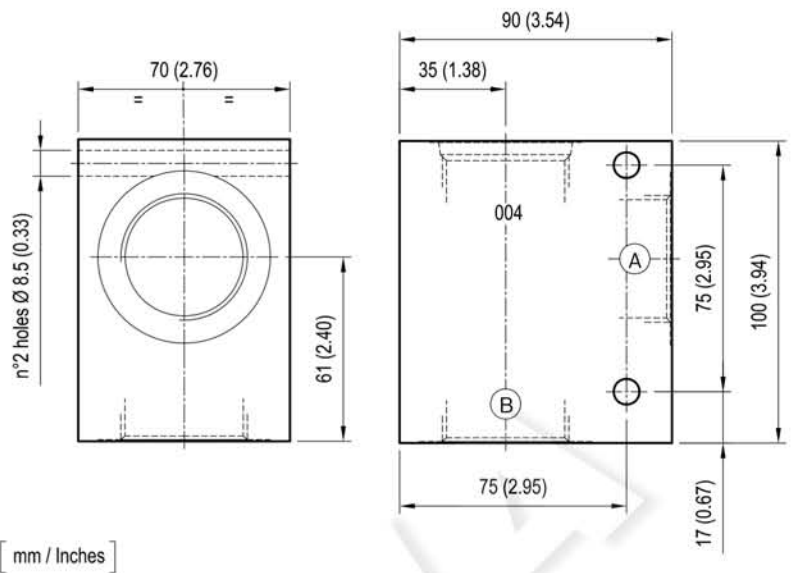
- | | |
|--|--------------------|
| • Max operating pressure for steel body: | 350 bar (5000 psi) |
| • Max operating pressure for high pressure steel body: | 500 bar (7250 psi) |
| • Max operating pressure for aluminium body: | 210 bar (3000 psi) |

Note: aluminium bodies are often strong enough for operating pressures exceeding 210 bar (3000 psi), depending from the fatigue life expected in the specific application. If in doubt, consult our Service Network.

Standard manifolds - Special cavity Aluminium / Steel

CAVITY: 004

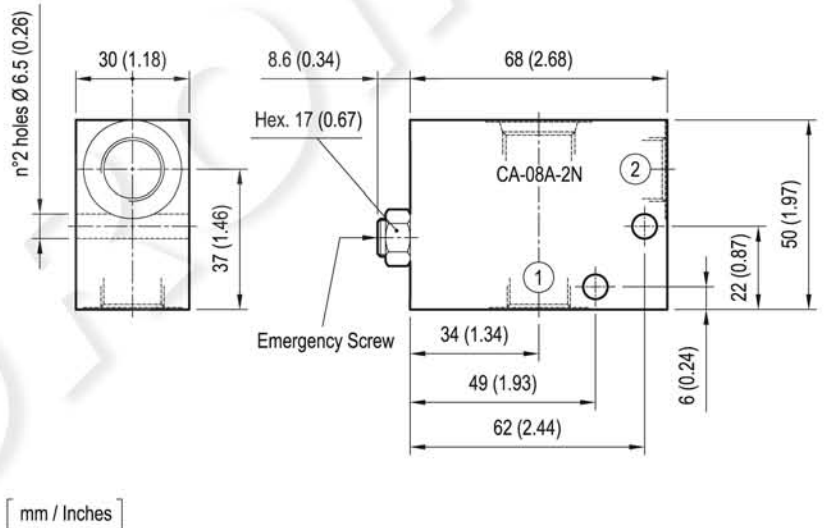
	Ordering code	Ports 1-2	Weight kg (lbs)
Aluminium	OC1009040 R901090789	G 1	1.35 (2.98)
	OC1009041 R901090791	G 1-1/4	1.28 (2.82)
Steel	OC1009122 R901090813	G 1	3.74 (8.25)
	OC1009056 R901090794	G 1-1/4	3.52 (7.76)



Manifolds with emergency screw Aluminium / Steel

CAVITY: CA-08A-2N

	Ordering code	Ports 1-2	Weight kg (lbs)
Aluminium	OE150009 R934001566	G 1/4	0.26 (0.57)
	OE150002 R934001554	G 3/8	0.25 (0.55)



CAVITY: 017-E

	Ordering code	Ports 1-2	Weight kg (lbs)
Aluminium	OE150003 R934001557	G 1/2	0.48 (1.06)
	OE150004 R901121824	G 3/4	0.47 (1.04)

