

Part number:

006-10024

HYDROMA

HYDRAULICKÉ SYSTÉMY

**HIDROMA
SYSTEMS**

UKŁADY HYDRAULICZNE

HYDROMA

ГИДРАВЛИЧЕСКИЕ СИСТЕМЫ

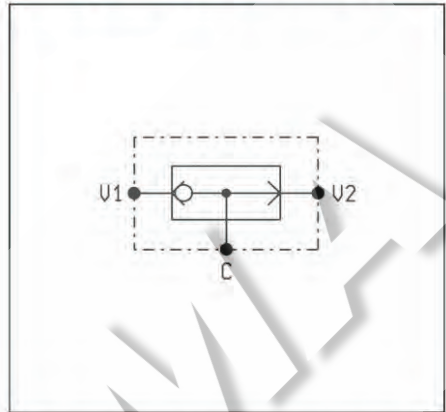
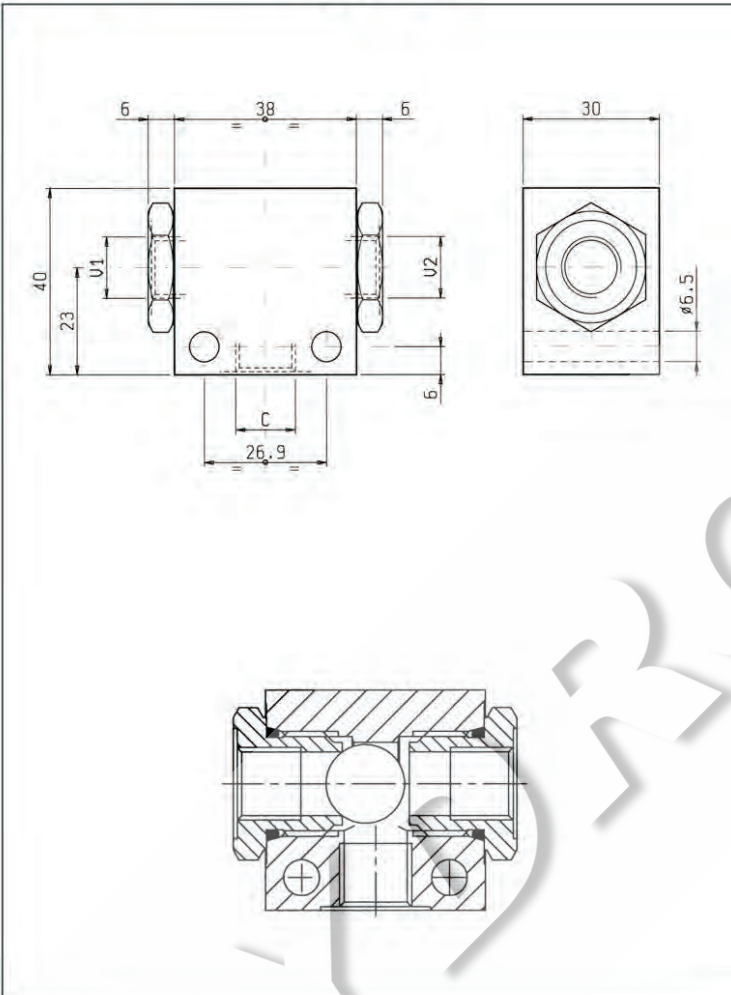


SELETTICI
SHUTTLE

Pag. 7.41.01

VFC-NC

05.99.05.00 - Y

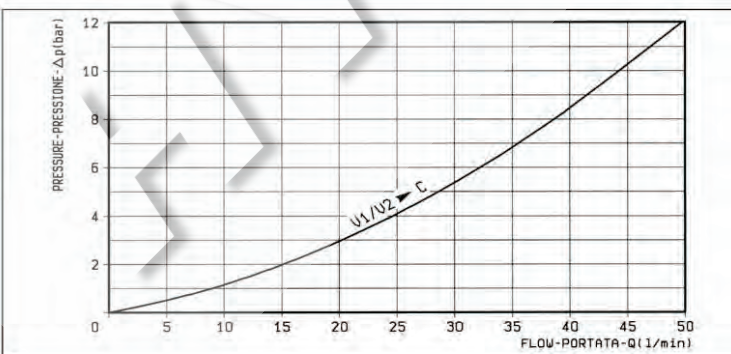


DATI TECNICI / TECHNICAL DATA

Pressione di lavoro max. 350 bar
Max. working pressure

Portata massima vedi diagramma
Flow see performance graph

Peso 0.17 kg
Weight



Y	ATTACCHI / PORT SIZE
	V1-V2-C
09	G 1/4