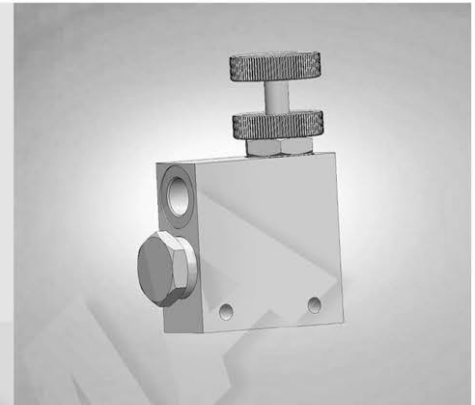


Part number:

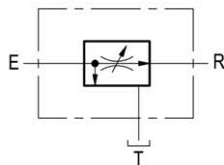
RE 18309-37/04.10 1/2
Replaces: RE 00171/02.07

Flow regulator, 3-way, pressure compensated



VRFC3

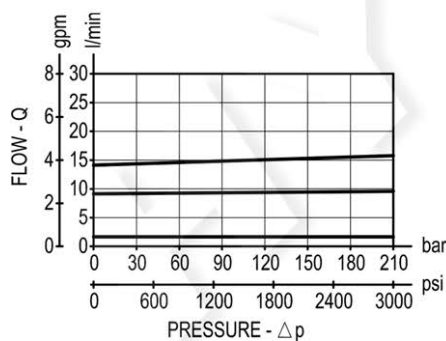
0M.32.03 - X - 97



Description

A constant flow rate, regardless of system pressures, is established from E to R, while a minimum pressure differential of appr. 5 bar (70 psi) exists between the two ports. Input flow supplied to E in excess of the regulated output at R is by-passed to T. Output flow can be varied from closed to the nominal maximum rating for the valve. Reverse flow from R to E is limited by the selected opening of the restrictor and is not pressure compensated. Flow from T to E or from T to R is not possible. Increasing or decreasing inlet flow may cause slight increase or decrease of Regulated flow.

Performance



Technical data

Hydraulic

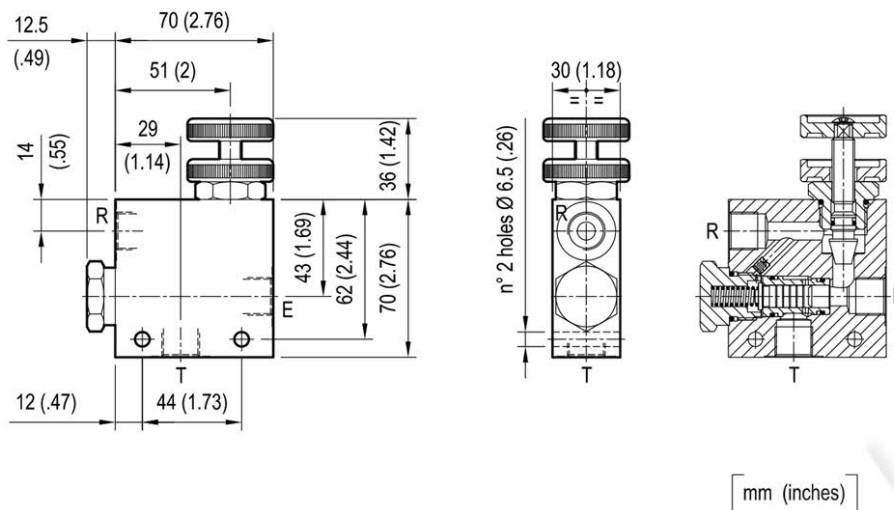
Operating pressure	bar (psi)	up to 210 (3000)
QE = max inlet flow "E" port		40 l/min (11 gpm)
QR = max regulated flow "R" port		25 l/min (7 gpm)
Flow range adjustment		: 0 - 3 turns

General

Manifold material	Aluminium	
Note: aluminium bodies are often strong enough for operating pressures exceeding 210 bar (3000 psi), depending from the fatigue life expected in the specific application. In if doubt, consult our Service Network.		
Weight	kg (lbs)	0.55 (1.21)
Fluid temperature range	°C (°F)	between -30 (-22) and +100 (212)
Other technical data	see data sheet RE 18350-50	

Note: for applications outside these parameters, please consult us.

Dimensions



Ordering code

0M.32.03	X	97
-----------------	----------	-----------

Flow regulator,
2-way, pressure compensated

Adjustments

Port sizes

E - R - T

G 3/8

= 70 Handknob and locknut



= 80 Screw and locknut



= 40 Graduated handknob



Type	Material number
0M3203709700000	R930004239
0M3203809700000	R930004246
0M3203409700000	R930004226

Type	Material number