

Part number:

HYDROMA

HYDRAULICKÉ SYSTÉMY

**HIDROMA
SISTEMS**

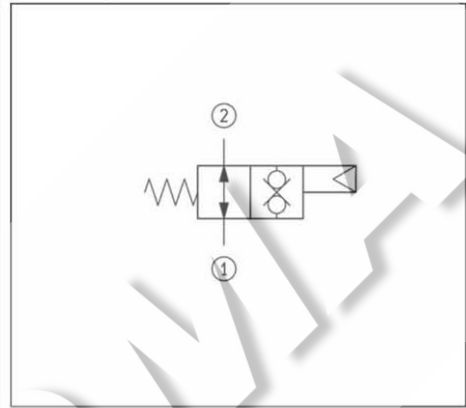
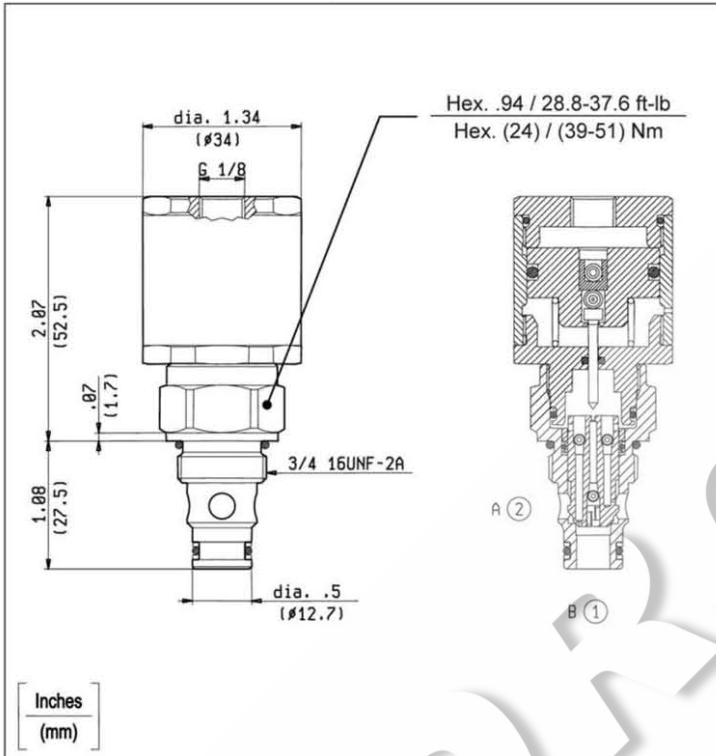
UKŁADY HYDRAULICZNE

HYDROMA

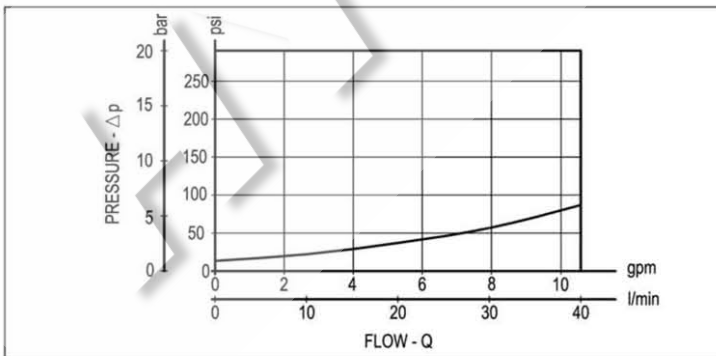
ГИДРАВЛИЧЕСКИЕ СИСТЕМЫ

**DIRECTIONAL CONTROL VALVES
PNEUMATIC OPERATED POPPET 2-WAY DOUBLE LOCK
NORMALLY OPEN COMMON CAVITY**

VPI-8A-2T-06-NA-S	SIZE 08	OD.65.32.18.14.00
--------------------------	----------------	--------------------------



TECHNICAL DATA	
Maximum Operating Pressure	5000 psi (350 bar)
Rated Flow	11 gpm (40 l/min)
Cavity - Tooling (CA-08A-2N)	page CT.A.001.U
Line bodies	page MN2.A...
Weight	0.595 lbs (0.270 kg)
Fluids - Temperatures	page 7.01.040
Testing Conditions - Seals	page 7.01.040
Internal Leakage	page 7.01.040
Filtration : 25 µm nominal or better	page 7.01.050
Mounting Position	unrestricted



PILOT PRESSURE		
MIN.	psi (bar)	MAX.
58 (4)		218 (15)