

Part number:

HYDROMA

HYDRAULICKÉ SYSTÉMY

**HIDROMA
SISTEMS**

UKŁADY HYDRAULICZNE

HYDROMA

ГИДРАВЛИЧЕСКИЕ СИСТЕМЫ

Data sheet

Hydraulic / Pneumatic - Ball valves, Valves - Needle valves

Needle Valve

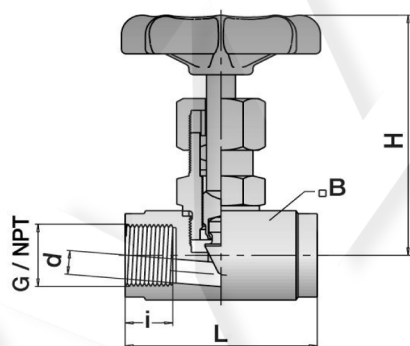


V-NVG34-7

with parallel BSP thread to DIN/ISO 228, with internal stem-adjusting thread

Thread	G
Connection 1	3/4"
Material	1.4571

Technical information



Thread:	G
Connection 1:	3/4"
Material:	1.4571
PN:	400
d:	10
i:	16,5
B:	35
L:	75
H:	81
Weight:	625 g

Details

* Forged. Housing Material: AISI 316Ti, Spindle Material: AISI 316Ti, Spindle Seal: PTFE, Hand wheel: pressed.
Temperature range: -60° C to 200° C. Please refer to the pressure reduction table. Ex according to Directive 2014/34/EU.