

Part number:

006-10793

HYDROMA

HYDRAULICKÉ SYSTÉMY

**HIDROMA
SISTEMS**

UKŁADY HYDRAULICZNE

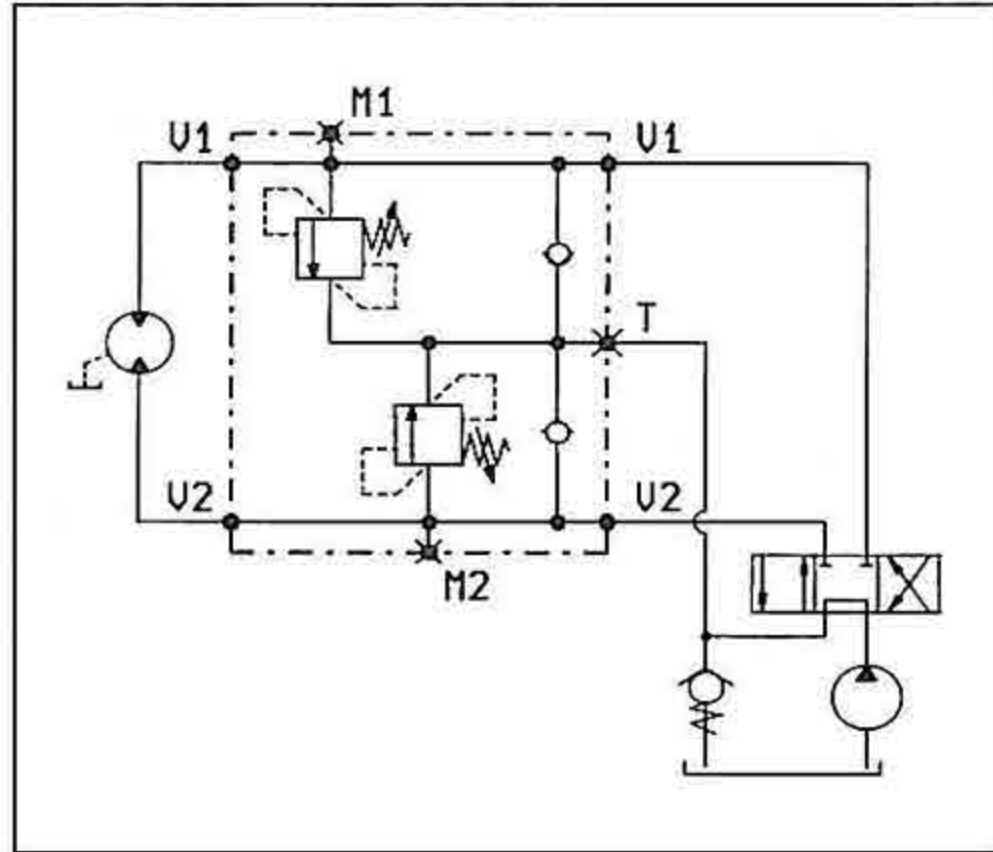
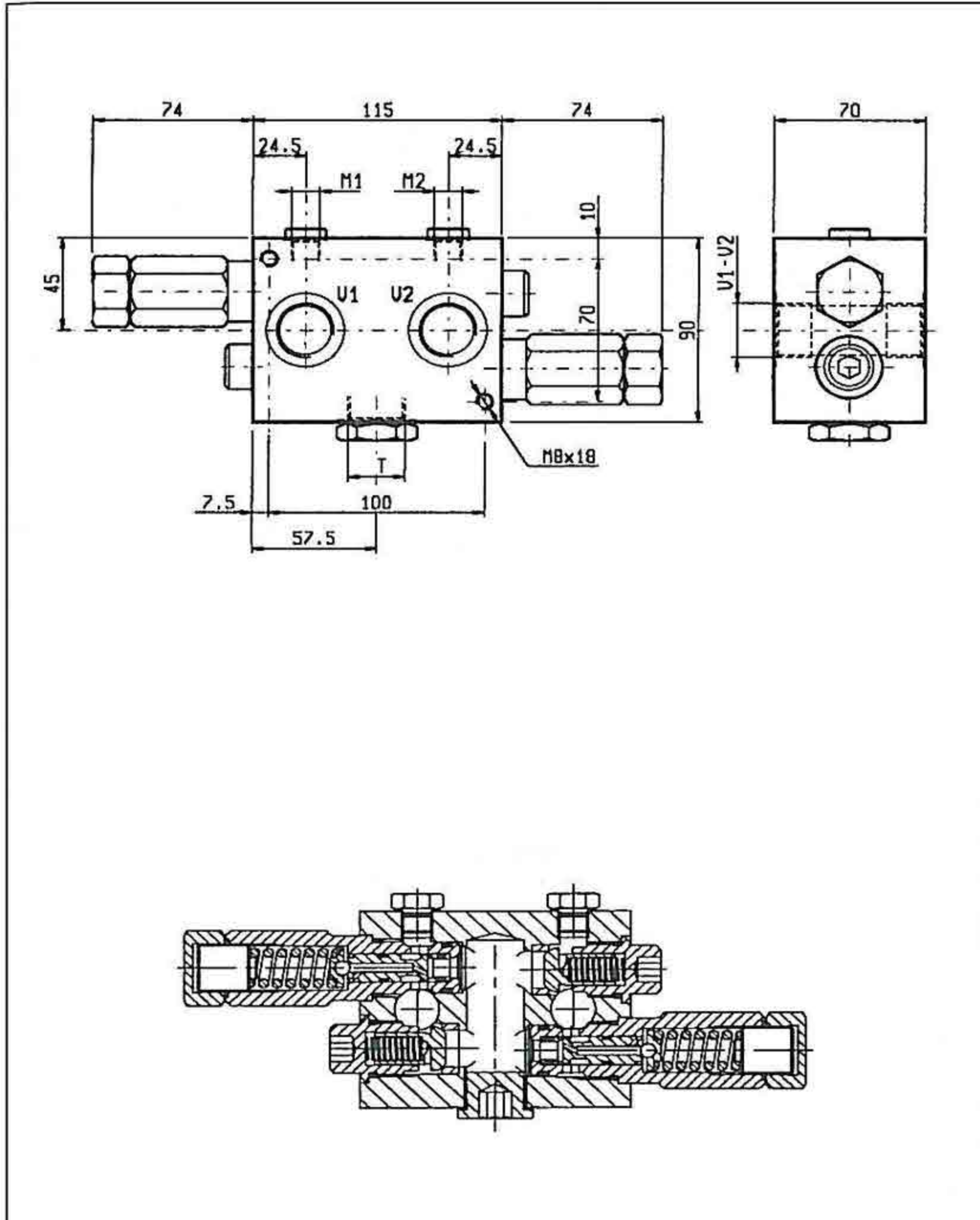
HYDROMA

ГИДРАВЛИЧЕСКИЕ СИСТЕМЫ

MASSIMA PRESSIONE, DOPPIE INCROCIATE, ANTICAVITAZIONE
DUAL CROSS OVER, ANTI-CAVITATION RELIEF

VSD-DI-VA-150

05.15.03 - X - Y - Z

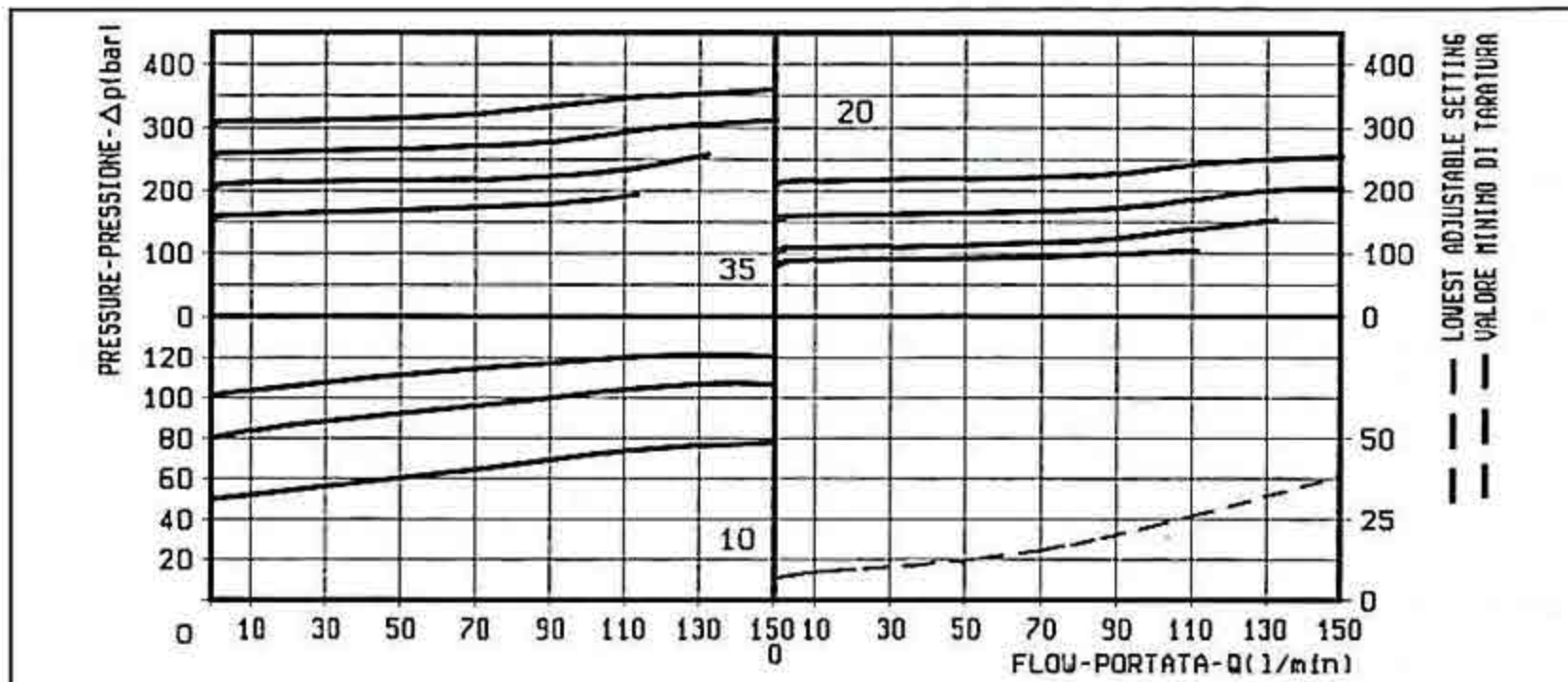


DATI TECNICI / TECHNICAL DATA

Pressione di lavoro max.
Max. working pressure 350 bar

Portata max.
Flow max. 150 l/min

Peso
Weight 2.88 kg



X	REGOLAZIONI ADJUSTMENTS
03	vite interna esagono incassato leakproof inner hex. socket screw 

Z	MOLLE / SPRINGS				
	Campo taratura min - max bar Adj. press. range bar	Incremento press. bar / giro vite Press. increase bar / turn	Taratura standard bar (Q = 5 l/min) Std. setting bar (made at 5 l/min)	Cod. ordinazione Ordering code	Colore Colour
10	40-100	33	100	03.51.01.151	blu blue
20	70-210	68	200	03.51.01.152	verde green
35	130-350	105	350	03.51.01.142	giallo yellow

Y	ATTACCHI / PORT SIZE	
	V1-V2-T	M1-M2
04	G 3/4	G 1/4