

Part number:

**HYDROMA**

HYDRAULICKÉ SYSTÉMY

**HIDROMA  
SISTEMS**

UKŁADY HYDRAULICZNE

**HYDROMA**

ГИДРАВЛИЧЕСКИЕ СИСТЕМЫ

Relief, direct acting poppet type  
pressure compensated  
Special cavity, 008

VS-30-CC

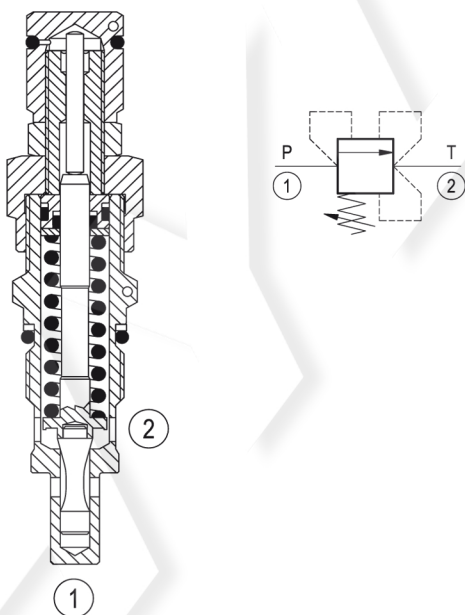
04.11.27 - X - 99 - Z



Technical data	
Max. operating pressure	350 bar (5000 psi)
Max. flow	30 l/min (8 gpm)
Max. internal leakage <sup>1)</sup>	15 drops/min.
Fluid temperature range	-30 to 100 °C (-22 to 212 °F)
Installation torque	46 - 51 Nm (34 - 38 ft-lbs)
Weight	0.17 kg (0.38 lbs)
Special cavity	008 (see data sheet 18325-75)
Lines bodies and standard assemblies	Please refer to section "Hydraulic integrated circuit" or consult factory
Seal kit <sup>2)</sup>	Code: RG0008010520100 material no: R930001693
Fluids	Mineral-based or synthetics with lubricating properties at viscosities of 10 to 500 mm <sup>2</sup> /s (cSt)
Recommended degree of fluid contamination	Nominal value max. 10µm (NAS 8) / ISO 4406 19/17/14
Installation position	No restrictions
Other Technical Data	See data sheet 18350-50

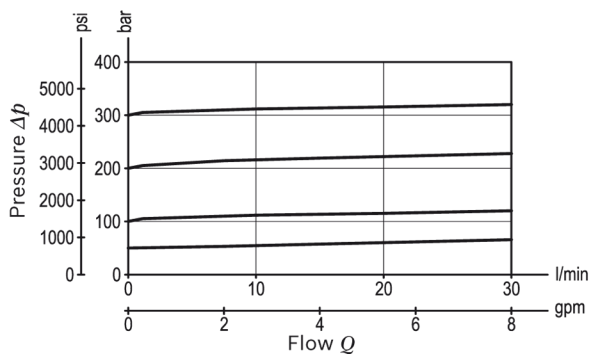
### Description

Flow is blocked from 1 to 2 until pressure increases to meet the selected valve setting, lifting the poppet from its seat and allowing relief flow through 2 to tank. The valve applies a balanced piston design allowing consistent relief operation at the valve setting independent of back-pressure at 2. The unique Bosch Rexroth Oil Control poppet design provides enhanced stability at all flows and pressures.



- 1) At 80% of pressure setting
- 2) Only external seals for 10 valves

### Characteristic curve



**Ordering code**

<b>04.11.27</b>	<b>X</b>	<b>99</b>	<b>Z</b>	<b>00</b>	<b>*</b>
-----------------	----------	-----------	----------	-----------	----------

Series 0/A to L  
unchanged performances and dimensions

Relief, direct acting poppet type  
pressure compensated

Version and options standard

Adjustments

**03** Leakproof hex. socket screw

**99** Special cavity, 008

SPRINGS			
	Adj. press. range bar (psi)	Pressure increase bar/turn (psi/turn)	Std. setting bar (psi) Q=5 l/min
<b>05</b>	* 5-50 (75-725)	11 (160)	50 (725)
<b>10</b>	30-100 (435-1450)	23 (334)	100 (1450)
<b>20</b>	50-210 (725-3000)	47 (682)	200 (2900)
<b>35</b>	100-350 (1450-5000)	82 (1189)	350 (5000)

**Note:** Special settings available. Contact factory authorized representative for ordering code.

\* minimum pressure setting intended with Q=5 l/min

**Preferred types**

Type	Material number
04112703990500D	R930006231
04112703991000D	R930006233
04112703992000D	R930006234
04112703993500D	R930006239

Type	Material number

**Dimensions**

