

Part number:

HYDROMA

HYDRAULICKÉ SYSTÉMY

**HIDROMA
SYSTEMS**

UKŁADY HYDRAULICZNE

HYDROMA

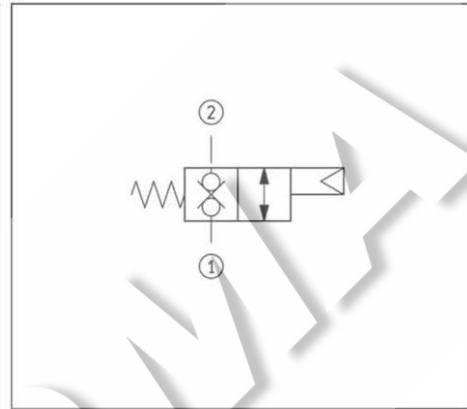
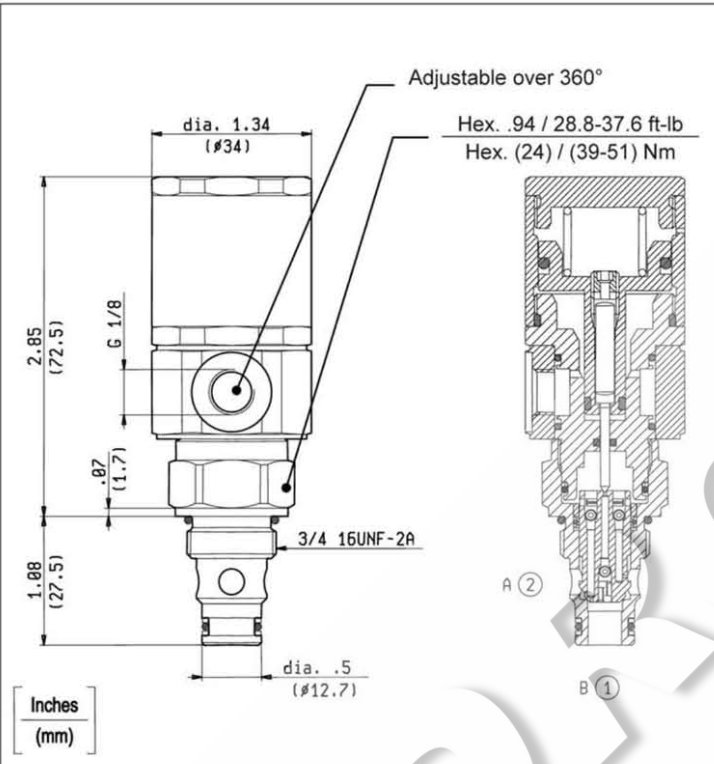
ГИДРАВЛИЧЕСКИЕ СИСТЕМЫ

**DIRECTIONAL CONTROL VALVES
PNEUMATIC OPERATED POPPET 2-WAY DOUBLE LOCK
NORMALLY CLOSED COMMON CAVITY**

VPI-8A-2T-06-NC-S

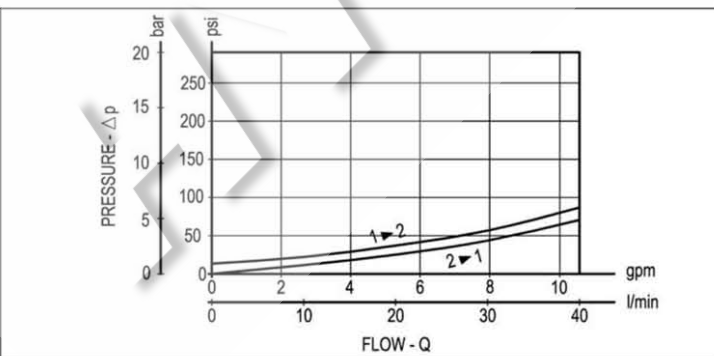
SIZE 08

OD.65.31.18.14.00



TECHNICAL DATA

Maximum Operating Pressure	5000 psi (350 bar)
Rated Flow	11 gpm (40 l/min)
Cavity - Tooling (CA-08A-2N)	page CT.A.001.U
Line bodies	page MN2.A...
Weight	0.584 lbs (0.265 kg)
Fluids - Temperatures	page 7.01.040
Testing Conditions - Seals	page 7.01.040
Internal Leakage	page 7.01.040
Filtration : 25 µm nominal or better	page 7.01.050
Mounting Position	unrestricted



PILOT PRESSURE		
MIN.	psi (bar)	MAX.
58 (4)		218 (15)