

Part number:

006-10730

HYDROMA

HYDRAULICKÉ SYSTÉMY

**HIDROMA
SYSTEMS**

UKŁADY HYDRAULICZNE

HYDROMA

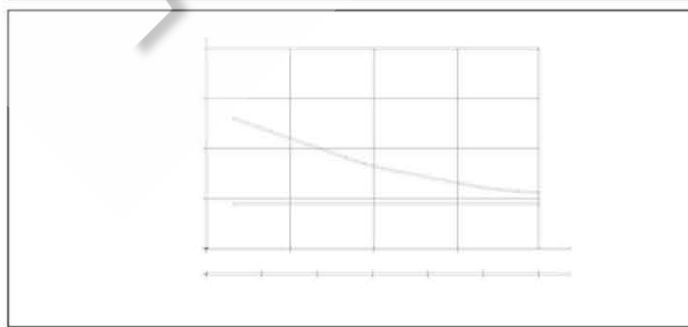
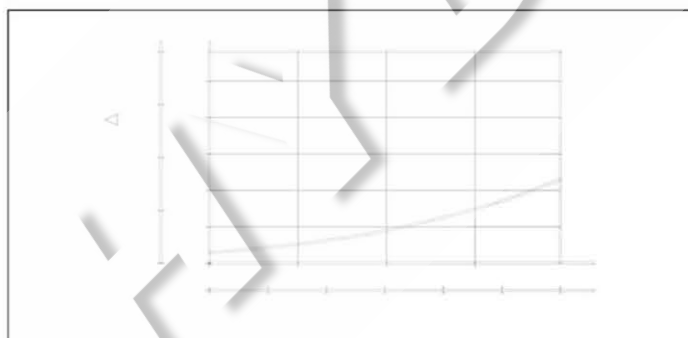
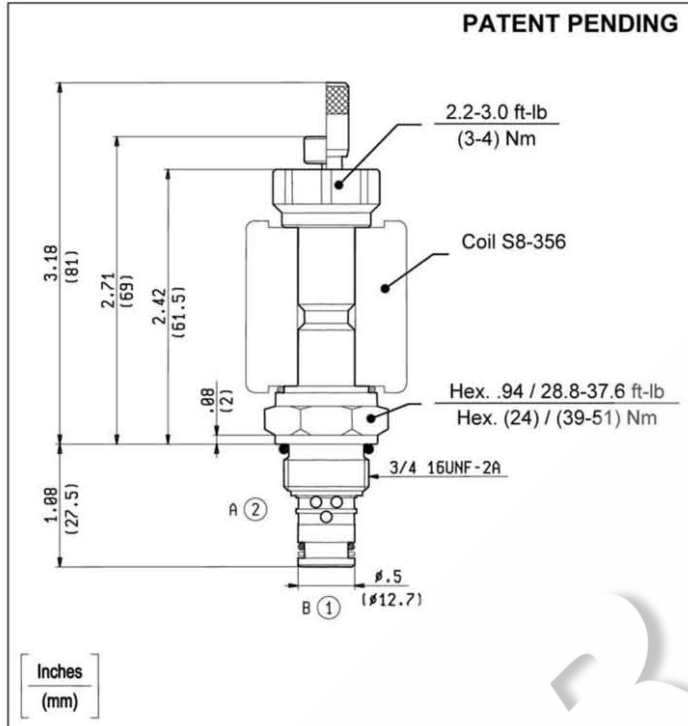
ГИДРАВЛИЧЕСКИЕ СИСТЕМЫ

**SOLENOID OPERATED VALVES
POPPET 2-WAY NORMALLY OPEN
COMMON CAVITY**

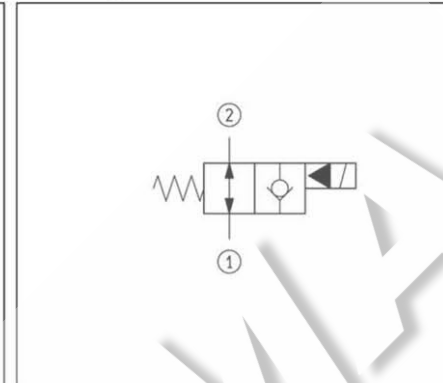
VEI-8I-2A-06-NA-S-NSS

SIZE 08

OD.15.06.18 - Y - S0



Rev.02.10



TECHNICAL DATA

Maximum Operating Pressure	5000 psi (350 bar)
Rated Flow	8 gpm (30 l/min)
Cavity - Tooling (CA-08A-2N)	page CT.A.001.U
Line bodies	page MN2.A...
Weight	0.286 lbs (0.130 kg)
Fluids - Temperatures	page 7.01.040
Testing Conditions - Seals	page 7.01.040
Internal Leakage	page 7.01.040
Filtration : 25 µm nominal or better	page 7.01.050
Minimum Voltage Required	90% of nominal
Coils must be ordered separately	page 1.71.042
Mounting Position	unrestricted

Y	ORDERING OPTIONS	
1I	Standard	
1L	Push Style Manual Override	
1M	Push and Twist Style Manual Override	

1.12B.050.U