

Part number:

HYDROMA

HYDRAULICKÉ SYSTÉMY

HIDROMA
SISTEMS

UKŁADY HYDRAULICZNE

HYDROMA

ГИДРАВЛИЧЕСКИЕ СИСТЕМЫ

Solenoid operated valves pilot operated poppet type
2-way normally open
Special cavity, 017-E

VEI-16-NA

OD.15 - X - 17 - Y - Z - 00

RE 18323-35

Edition: 04.2018

Replaces: 02.2018



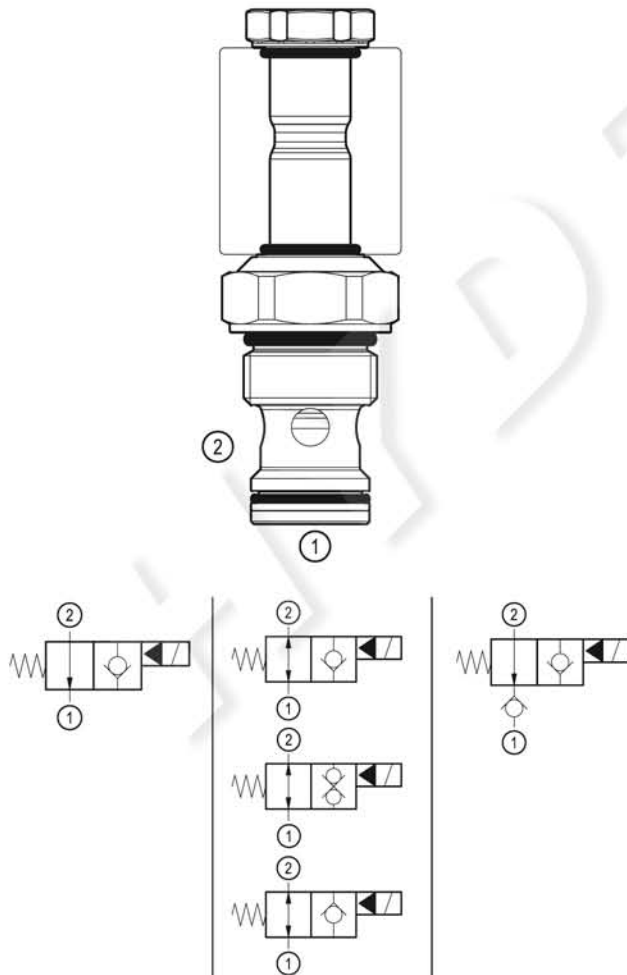
PATENT PENDING

Technical data

New VEI-16 family incorporates a new solenoid concept providing excellent performance and enables cartridges to work in severe environment. Cartridges also incorporates advanced design of hydraulic parts providing excellent hydraulic performance.

Technical data

General	
Weight	0.25 kg (0.55 lbs)
Installation orientation	Unrestricted
Ambient temperature range	-30 to 90 °C (-22 to 194 °F)
Hydraulic	
Max. operating pressure	350 bar (5000 psi)
Flow range	2 - 70 l/min (0.53 - 18 gpm)
Fatigue cycle life	2 million cycles at 350 bar
Max. internal leakage:	20 drops/min.
Installation torque	54 - 66 Nm (40 - 49 ft-lbs)
Switching time	Opening ≤ 50 ms Closing ≤ 100 ms
Fluid temperature range	-20 to 80 °C (-4 to 176 °F)
Fluids: Mineral-based or synthetics with lubricating properties at viscosities of 20 to 380 mm ² /s (cSt)	
Recommended degree of fluid contamination	Nominal value max. 10 µm (NAS 8) ISO 4406 19/17/14
MTTFd	150 years see RE 18350-51
Special cavity	017-E see 18325-75
Seal kit for X= 02,06,12	code RG17E201052010 material no. R934003562
Seal kit for X= 04,32	code RG17E201053010 material no. R934003563
Seal kit coil and standard cap	code RG02Z0010000100 material no. R930067869
Seal kit coil and protective cap only for Y=B	code RG03Z0010000100 material no. R930067870
Seal kit coil and protective cap only for Y=C	code RG04Z0010000100 material no. R930069171
Other technical data	See data sheet 18350-50
Electrical	
Type of voltage	DC voltage
Coil type	D36
Supply voltage	See data sheet 18325-90
Voltage tolerance against ambient temperature	See characteristic curve
Power consumption	20 W
Type of protection	See data sheet 18325-90
Note: Coils must be ordered separately	



Ordering code

OD.15	X	17	Y	Z	0000	*	
Solenoid operated valves pilot operated poppet type 2-way normally open						Series O/A to L unchanged performances and dimensions	
monodirectional type						0 = With buna seal V = With Viton seal P = With buna seal and protective cap for override version B and C T = With Viton seal and protective cap for override version B and C	
							A = Standard B = Push style manual override C = Push and twist style manual override
bidirectional type							
monodirectional type with check							
bidirectional type							
						Special cavity: 017-E	
bidirectional type							

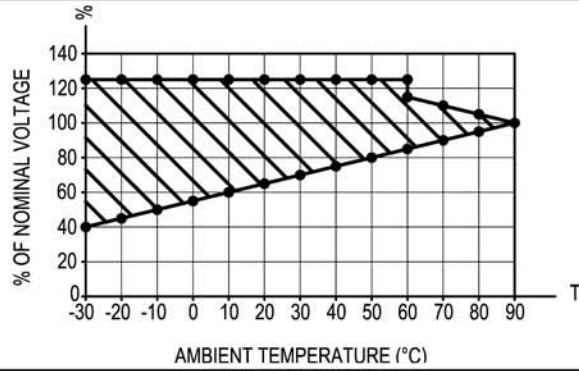
Preferred types

Type	Material number
OD150217A000000	R930063870
OD150217C000000	R930065471
OD150617A000000	R930064265
OD150617B000000	R930064334
OD150617C000000	R930063423
OD151217A000000	R930063907
OD153217A000000	R930064102
OD153217B000000	R930067161

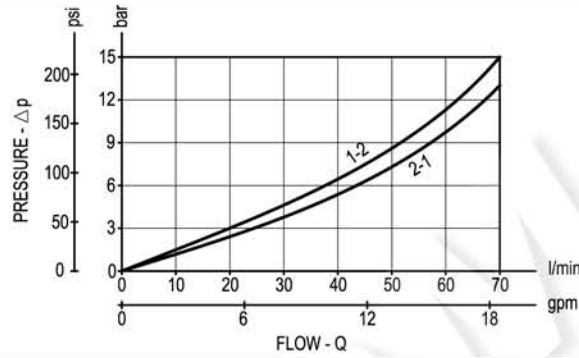
Type	Material number
OD153217BP00000	R930067159
OD153217C000000	R930067160
OD153217CP00000	R930067157
OD150417A000000	R930066966

Characteristic curves

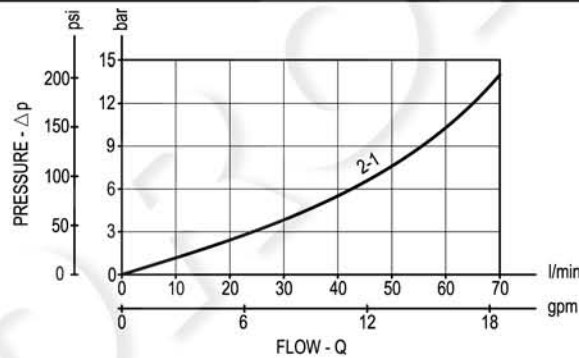
All Versions - Admissible supply voltage Vs. Ambient temperature at 100% duty cycle



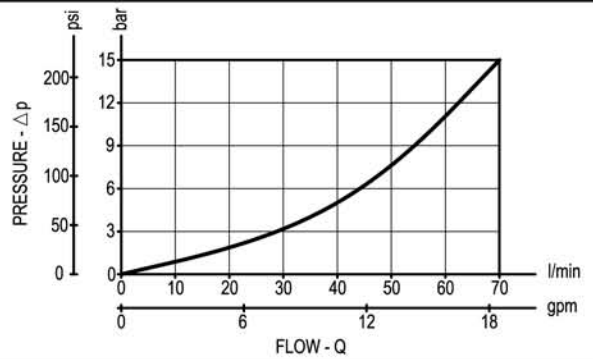
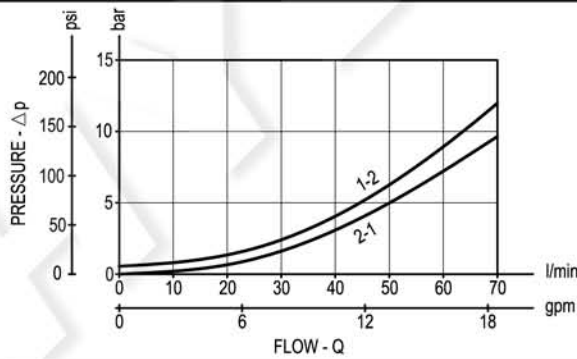
Versions 02, 06



Version 12



Version 32 Version 04



Dimensions

Solenoid operated valves, poppet 2-way normally open

