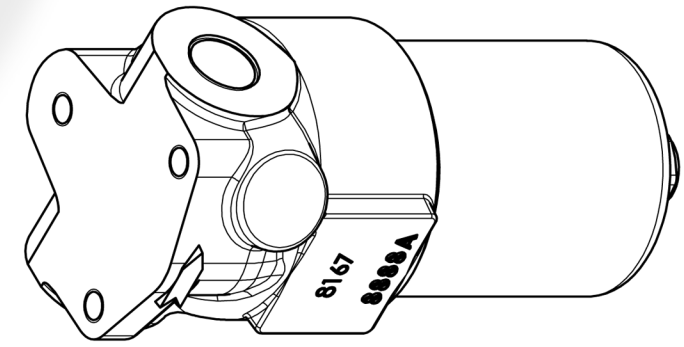
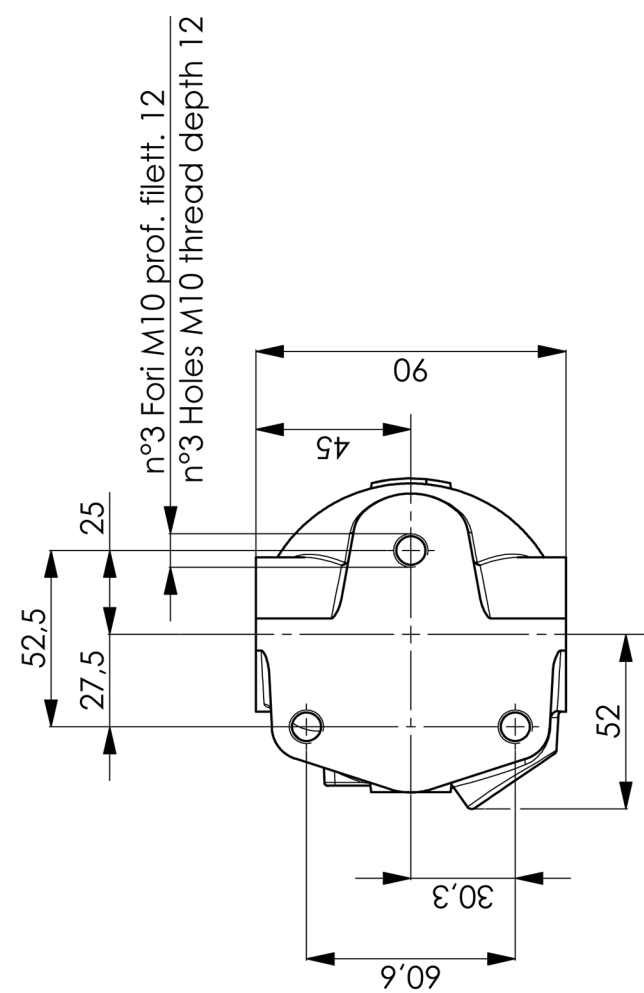
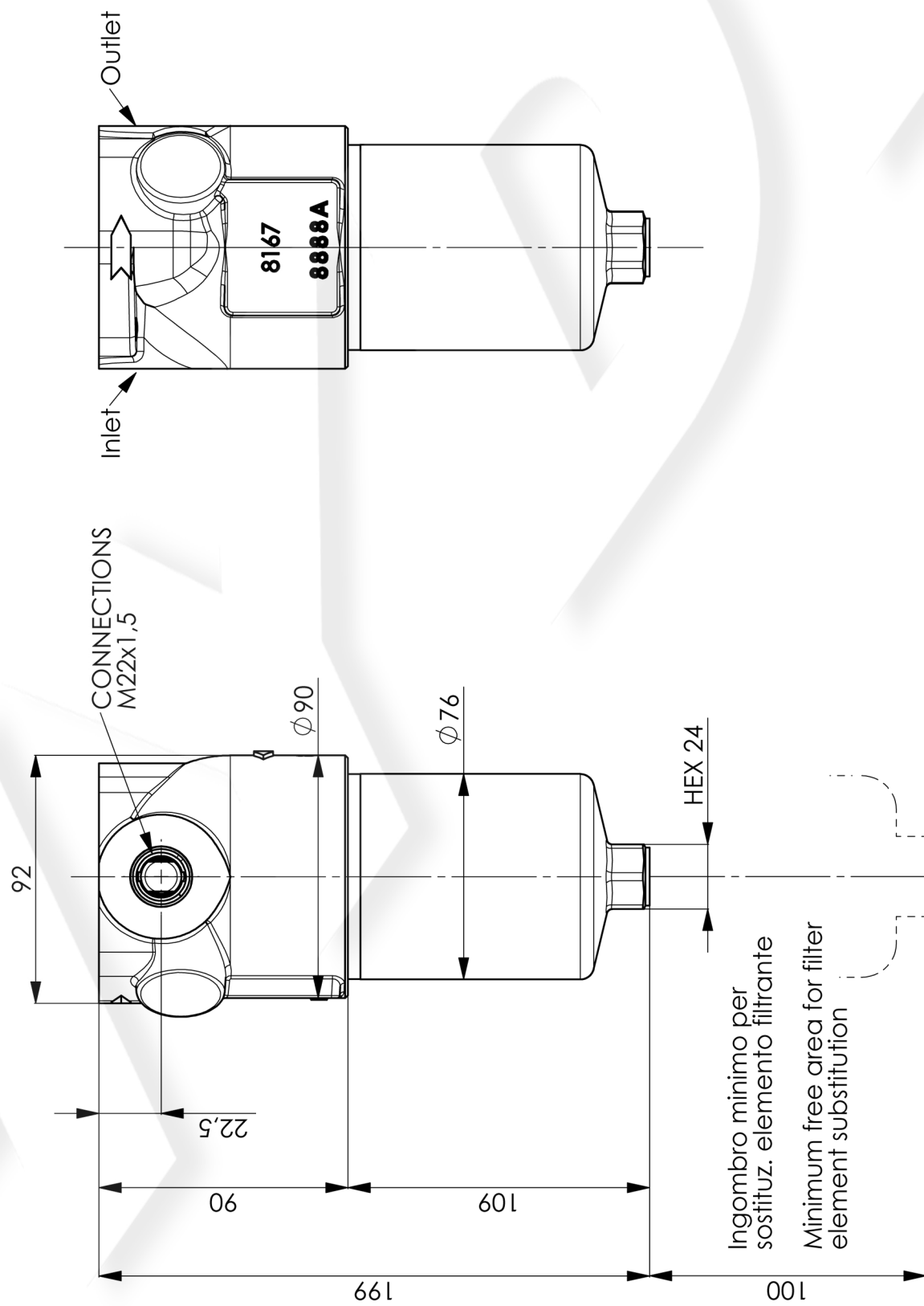


Part number:

Questo disegno è di proprietà della PLANET FILTERS S.p.A. che tutela i propri diritti a termine di legge. / This drawing is under property of PLANET FILTERS S.p.A. joint-stock corporation that protect the own rights by the law.



**TECHNICAL DATA.**

**MATERIALS**

- Head: Cast iron (phosphatized)
- Bowl: Steel (phosphatized)
- Seals: NBR 70 Sh. A ±5
- End ring and end cap: Polyamide
- Inner core: Polyamide

**FILTER ELEMENT CHARACTERISTIC**

- Oil Flow: From: External / To: Internal
- Filter Media: Fiber 12 µm
- Filter Area: 945 cm<sup>2</sup>
- Collapse Pressure: Min. Δp 21 bar (2.1 MPa)
- Spare part code: EPC51NFC

**PRESSURE**

- Working Pressure: 375 bar (37.5 MPa) ISO 4548-6
- Test Pressure: 750 bar (52.5 MPa) ISO 4548-6
- Burst Pressure: 1125 bar (100.5 MPa) ISO 4548-6

**FLOW RATE (ISO 3968)**

- Pressure drop with oil cSt: 105 KPa at 100 l/min

**TEMPERATURE (ISO 2943)**

- Working Temperature: From: -25 °C / To: +110 °C

**VALVES (ISO 3968)**

- BY-PASS / Opening Pressure: 6 bar (600 kPa) ±10%

**COMPATIBILITY (ISO 2943)**

- Full with fluids: HH-HL-HM-HV-HTG (according to ISO 6743/4)

Prodotto / Product		Denominazione / Denomination		Formato / Format
Materiale / Material		<b>FILTRO PRESSIONE/PRESSURE FILTER</b>		<b>A2</b>
Trattamento / Treatment		N. Disegno / Drawing No.		Scala / Scale
		<b>FPC51M04CNFC00WX</b>		<b>1:2</b>
		Peso / Weight		Tavola / Table
		--- kg		<b>1/1</b>
TOLLERANZE GENERALI / GENERAL TOLERANCE		Grezzi: Casting:		
Secondo / As per: ISO 2768-mk		Sostituito da: Replaces:		
		Rimpiazzato da: Replaces:		