

Part number:

HYDROMA

HYDRAULICKÉ SYSTÉMY

**HIDROMA
SYSTEMS**

UKŁADY HYDRAULICZNE

HYDROMA

ГИДРАВЛИЧЕСКИЕ СИСТЕМЫ

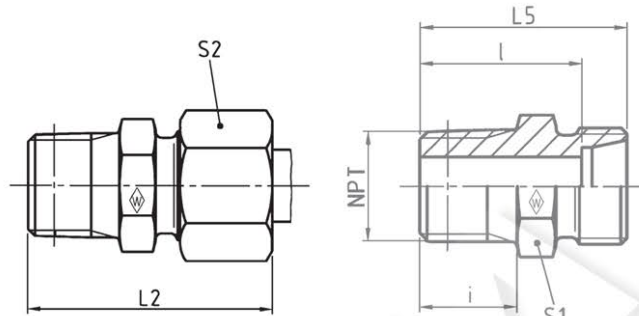
Male stud coupling
Gerade-Einschraubverschraubung
Union simple mâle

P-GEV NPT

Stud thread: NPT (ANSI/ASME B1.20.1-1983)

Einschraub-
gewinde: NPT (ANSI/ASME B1.20.1-1983)

Filetage môle: NPT (ANSI/ASME B1.20.1-1983)



Series	bar	Tube OD	Type	Reference	kg per 100 pcs.							
Reihe	PN	Rohr-AD	Typ	Best.-Nr.	kg per 100 St.							
Série	(psi)	Tube Ø ext.	Désignation	Réf.	kg par 100 p.	L ₂	L ₅	l	i	S ₁	S ₂	
LL	100 (1450)	4	1/8 NPT	S-GEV 4 LL/1/8 NPT	WAL038241	1,5	28	22	18	10	11	10
		6	1/8 NPT	S-GEV 6 LL/1/8 NPT	WAL038243	1,5	28	22	16,5	10	11	12
		8	1/8 NPT	S-GEV 8 LL/1/8 NPT	WAL038244	2,0	30	24	18,5	10	12	14
L	315 (4569)	6	1/8 NPT	P-GEV 6 L/1/8 NPT	WAL373026	2,6	32	24	17	10	12	14
		6	1/4 NPT	P-GEV 6 L/1/4 NPT	WAL373027	3,9	38	30	23	15	17	14
		8	1/4 NPT	P-GEV 8 L/1/4 NPT	WAL373028	4,0	38	30	23	15	17	17
		10	1/4 NPT	P-GEV 10 L/1/4 NPT	WAL373029	4,8	39	31	24	15	17	19
		10	3/8 NPT	P-GEV 10 L/3/8 NPT	WAL373030	6,0	40	32	25	15	19	19
		12	1/4 NPT	P-GEV 12 L/1/4 NPT	WAL373031	6,0	40	32	25	15	19	22
		12	3/8 NPT	P-GEV 12 L/3/8 NPT	WAL373032	6,5	40	32	25	15	19	22
		12	1/2 NPT	P-GEV 12 L/1/2 NPT	WAL373033	8,5	45	37	30	20	24	22
		15	1/2 NPT	P-GEV 15 L/1/2 NPT	WAL373034	11,0	46	38	31	20	24	27
		18	1/2 NPT	P-GEV 18 L/1/2 NPT	WAL373035	13,5	48	39	31,5	20	27	32
	160 (2321)	22	3/4 NPT	P-GEV 22 L/3/4 NPT	WAL373036	19,0	50	41	33,5	20	32	36
		28	1 NPT	P-GEV 28 L/1 NPT	WAL373037	27,5	56	47	39,5	25	41	41
		35	1 1/4 NPT	P-GEV 35 L/1 1/4 NPT	WAL373038	40,5	62	51	40,5	26	46	50
		42	1 1/2 NPT	P-GEV 42 L/1 1/2 NPT	WAL373039	57,0	65	53	42	26	55	60
S	630 (9137)	6	1/4 NPT	P-GEV 6 S/1/4 NPT	WAL373040	5,0	43	35	28	15	17	17
		8	1/4 NPT	P-GEV 8 S/1/4 NPT	WAL373041	5,5	43	35	28	15	17	19
		10	1/4 NPT	P-GEV 10 S/1/4 NPT	WAL373042	8,5	44	35	27,5	15	19	22
		10	3/8 NPT	P-GEV 10 S/3/8 NPT	WAL373043	8,0	44	35	27,5	15	19	22
		12	1/4 NPT	P-GEV 12 S/1/4 NPT	WAL373044	9,5	46	37	29,5	15	22	24
		12	3/8 NPT	P-GEV 12 S/3/8 NPT	WAL373045	10,0	46	37	29,5	15	22	24
	400 (5801)	12	1/2 NPT	P-GEV 12 S/1/2 NPT	WAL373046	12,5	51	42	34,5	20	22	24
		14	1/2 NPT	P-GEV 14 S/1/2 NPT	WAL373047	15,5	54	44	36	20	24	27
		16	1/2 NPT	P-GEV 16 S/1/2 NPT	WAL373048	16,0	54	44	35,5	20	27	30
		20	3/4 NPT	P-GEV 20 S/3/4 NPT	WAL373049	25,0	59	48	37,5	20	32	36
		25	1 NPT	P-GEV 25 S/1 NPT	WAL373050	47,5	69	57	45	25	41	46
	315 (4569)	30	1 1/4 NPT	P-GEV 30 S/1 1/4 NPT	WAL373051	62,0	73	60	46,5	26	46	50
		38	1 1/2 NPT	P-GEV 38 S/1 1/2 NPT	WAL373052	89,0	80	65	49	26	55	60

L₂ = approximate length with nut tightened
L₂ = Ungefährmaß bei angezogener Überwurfmutter
L₂ = longueur approximative, l'écrou étant bloqué

Taper port form NPT (ANSI/ASME B1.20.1-1983)
Kegelige Einschraublöcher NPT (ANSI/ASME B1.20.1-1983)
Trous taraudés coniques NPT (ANSI/ASME B1.20.1-1983)