

Part number:

HYDROMA

HYDRAULICKÉ SYSTÉMY

**HIDROMA
SYSTEMS**

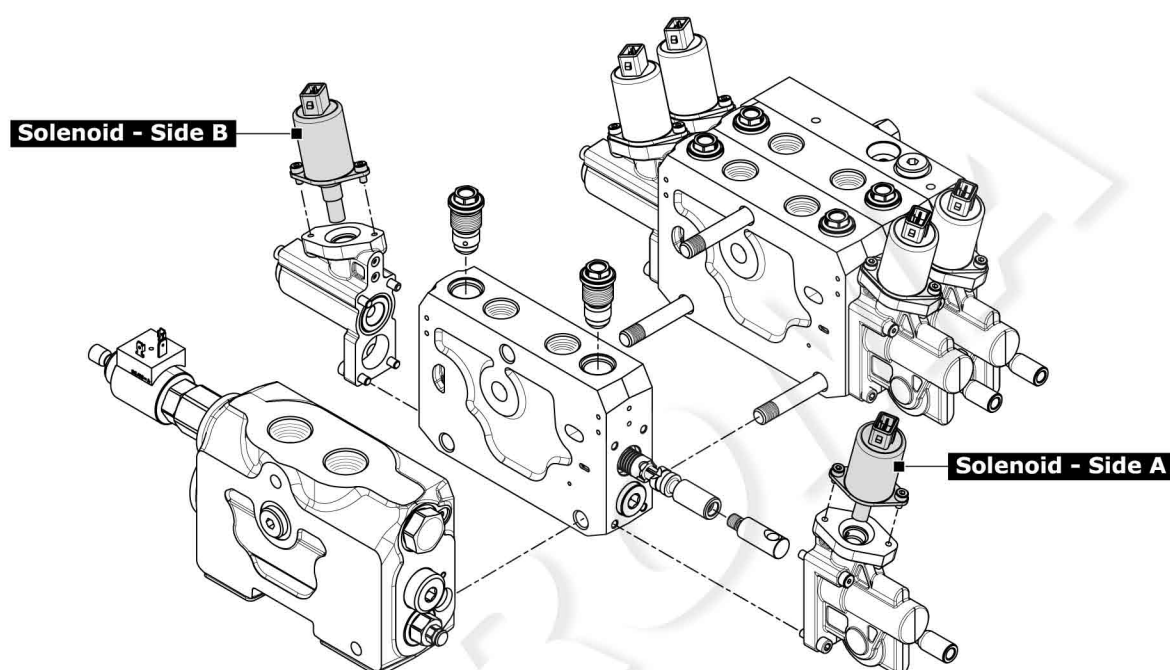
UKŁADY HYDRAULICZNE

HYDROMA

ГИДРАВЛИЧЕСКИЕ СИСТЕМЫ

EX38 | LOAD SENSING VALVE**Solenoid specifications for Electrohydraulic actuation**

Solenoid kit must be ordered separately. Each work section require two solenoid kit.

**COIL AND CONNECTOR SPECIFICATIONS**

Type	DEUTSCH DT 4		AMP JUNIOR POWER TIMER	
Order Code	B12DE	B24DE	B12AJ	B24AJ
	430093102	430093103	430093100	430093101
Supply voltage (Vdc)	12	24	12	24
Coil resistance R20 (Ω)	4,7	20,8	4,7	20,8
ON-OFF control current (mA)	2500	1150	2500	1150
Proportional control current (mA)	500 - 1300	250 - 650	500 - 1300	250 - 650
PWM frequency suggested (Hz)	70 - 90		70 - 90	
Connector	DEUTSCH DT 4		AMP Junior Power Timer	
Feeding reducing pressure (bar)	40		40	
Max Pressure on pilot Tank line (bar)	5		5	

NOTE:

Mating connector for AMP Junior Power Timer can be ordered separately with code 413000223 (including 2 m wire).
Mating connector for Deutsch DT 4 can be ordered separately with code 487200802.