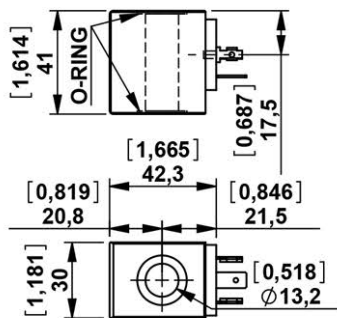


Part number:

## Built-in Valve

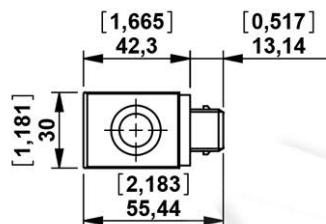
### COIL Model S-CE – 18W – ED 100% for valves VE3-NC , VE3-NA , CEI6-NA , V4DS-2P , V4DS-3P Series

- Coil protection: Polyamide resin with fiber glass for Heat insulation class F (155°C [311°F])  
IXEF for Heat insulation class H (180°C [356°F])
- Solenoids “S-CE” (18 W) are designed for continuous duty ED100%.
- Ambient temperature range : -15°/+40°
- Inlet voltage fluctuations must not exceed +/- 10% of nominal voltage to obtain correct operations and long life coils
- Protection degree: see tables below



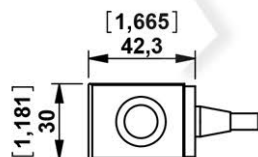
#### DIN 43650 - ISO 4400 IP65 with connector assembled

Code	Voltage	Heat Insulation class	Type	Material Number
<b>OB</b>	12 Volts D.C.	F (155°C) [311°F]	C166455OB1	R932000804
<b>OC</b>	24 Volts D.C.	F (155°C) [311°F]	C166455OC1	R932000805
<b>OD</b>	48 Volts D.C.	F (155°C) [311°F]	C166455OD1	R932000806
<b>OBH</b>	12 Volts D.C.	H (180°C) [356°F]	C166462OB1	R932000819
<b>OCH</b>	24 Volts D.C.	H (180°C) [356°F]	C166462OC1	R932000820
<b>OV</b>	24 Volts RAC	H (180°C) [356°F]	C166462OV1	R932000821
<b>OK</b>	48 Volts RAC	H (180°C) [356°F]	C166462OK1	R932008238
<b>OW</b>	110 Volts RAC	H (180°C) [356°F]	C166462OW1	R932008239
<b>OZ</b>	220 Volts RAC	H (180°C) [356°F]	C166462OZ1	R932000822



#### AMP JUNIOR IP67

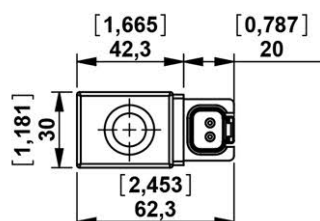
Code	Voltage	Heat Insulation class	Type	Material Number
<b>OBA</b>	12 Volts D.C.	F (155°C) [311°F]	C166458OB1	R932000815
<b>OCA</b>	24 Volts D.C.	F (155°C) [311°F]	C166458OC1	R932000816



#### SINGLE LEAD IP54

Code	Voltage	Heat Insulation class	Type	Material Number
<b>OBL</b>	12 Volts D.C.	F (155°C) [311°F]	C166467OB00600F	R932009109
<b>OCL</b>	24 Volts D.C.	F (155°C) [311°F]	C166467OC00600F	R932007010

Cable Length 600mm



#### DEUTSCH DT04-2P-V IP67

Code	Voltage	Heat Insulation class	Type	Material Number
<b>OBD</b>	12 Volts D.C.	F (155°C) [311°F]	C166463OB1	R932000823
<b>OCD</b>	24 Volts D.C.	F (155°C) [311°F]	C166463OC1	R932009110