

Part number:

TSF - FILLER BREATHER WITH FILTER

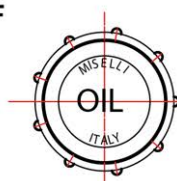
TSF/BR - FILLER BREATHER WITH FILTER IN SINTERED BRONZ

TSAF - FILLER BREATHER WITH FILTER AND DIPSTICK

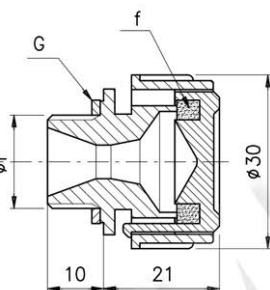
TSAF/BR - FILLER BREATHER WITH FILTER AND DIPSTICK IN SINTERED BRONZ



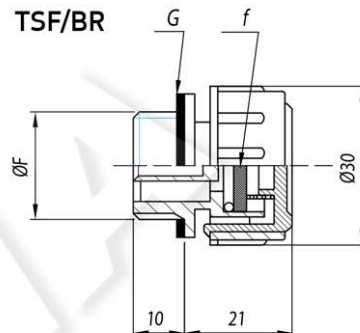
TSF



G = NBR gasket
F = Air filter



TSF/BR



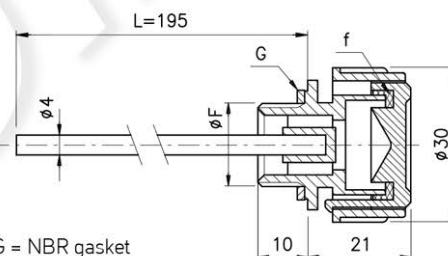
G = NBR gasket
F = Filter sintered bronz



TSAF



G = NBR gasket
F = Air filter



-Filler breathers with easy grip vertical ribs, manufactured from thermoplastic material (Polymide 66). **max. working temperature 100°C (212 F).**

-These style filler breathers are produced in black, with a red lid, with encased the text "OIL". On large orders a custom text or company logo is possible. A standard flat rubber seal is used, but a 'O' Ring seal is available, both in NBR 70 shore.

-Located under the lid is a polyurethane foam filter (40 microns) installed, which is easy to be cleaned once the lid is removed.

-The serie TSF-TSAF has been projected to obtain a good airflow capacity combined with contained external dimensions.

-Airflow capacity (P) is indicated on the table expressed in liters/minute with a tank pressure of 50 mbar (0,73 psi).

-The model **TSAF** fits a steel level dipstick with zinc phosphate surface (cylindrical section). standard length mm. 195.; in case of orders of a least 250 pcs the dipstick can be manufactured to the customers specifications.

-In the kind of applications where the vent hole is subject to strong oil splashes, especially during the starting of the machine when the oil is still thick, we suggest to utilize the model **TSF/BR - TSAF/BR**, with air filter element in sintered bronze (30 ± filtration degree). This allows the air to flow but stops fluid overflowing due to the bronze filter being not absorbent.

Code	F	P
TSF-14 TSAF-14	G 1/4"	95
TSF-38 TSAF-38	G 3/8"	125
TSF-12 TSAF-12	G 1/2"	126
TSF-22.15 TSAF-22.15	M 22x1,5	126
TSF-24.15 TSAF-24.15	M 24x1,5	126

Code	F	P
TSF-14/BR TSAF-14/BR	G 1/4"	63
TSF-38/BR TSAF-38/BR	G 3/8"	75
TSF-12/BR TSAF-12/BR	G 1/2"	70
TSF-22.15/BR TSAF-22.15/BR	M 22x1,5	70
TSF-24.15/BR TSAF-24.15/BR	M 24x1,5	70

plugs, breathers and dipsticks