

Part number:

HYDROMA

HYDRAULICKÉ SYSTÉMY

**HIDROMA
SYSTEMS**

UKŁADY HYDRAULICZNE

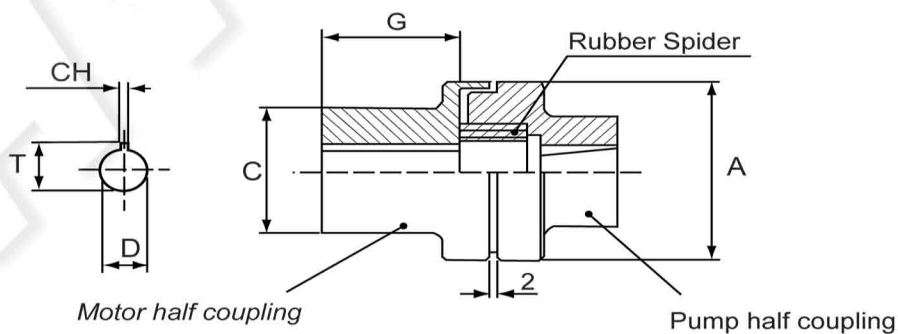
HYDROMA

ГИДРАВЛИЧЕСКИЕ СИСТЕМЫ

ND Series Electric Motor Drive Couplings

Aluminium Drive Coupling Halves - Electric Motor

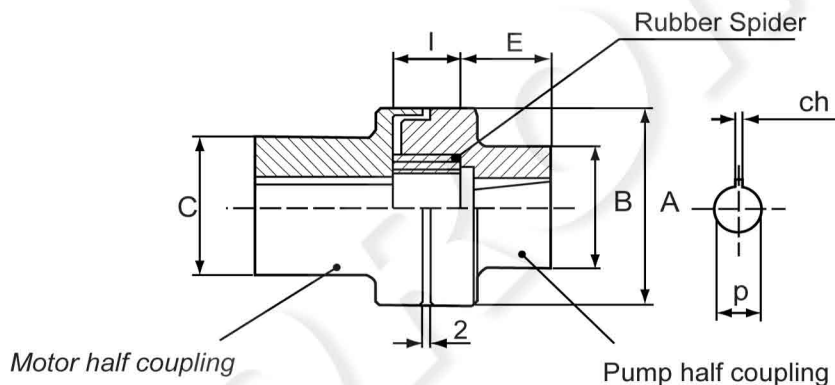
Stock No.	Description	Shaft Dia.	Motor Frame	kW	A	C	G	D	CH	T	List Price
ND48A	Coupling Half	11 mm	D63	0.12 ÷ 0.18	48	30	19	11	4	12.8	
ND48B	Coupling Half	14 mm	D71	0.25 ÷ 0.37	48	30	29	14	5	16.3	
ND48C	Coupling Half	19 mm	D80	0.55 ÷ 0.75	48	38	54	19	6	21.8	
ND48D	Coupling Half	24 mm	D90	1.10 ÷ 1.50	48	38	54	24	8	27.3	
ND65A	Coupling Half	19 mm	D80	0.55 ÷ 0.75	65	42	47.5	19	6	21.8	
ND65B	Coupling Half	24 mm	D90	1.10 ÷ 1.50	65	48	47.5	24	8	27.3	
ND65C	Coupling Half	28 mm	D100/112	2.20 ÷ 4.00	65	53	57.5	28	8	31.3	
ND86HD20	Coupling Half	19 mm	D80	0.55 ÷ 0.75	86	55	48	19	6	21.8	
ND86HD31	Coupling Half	24 mm	D90	1.10 ÷ 1.50	86	55	48	24	8	27.3	
ND86A	Coupling Half	28 mm	D100/112	2.20 ÷ 4.00	86	55	60	28	8	31.3	
ND86B	Coupling Half	38 mm	D132	5.50 ÷ 7.50	86	73	88	38	10	41.3	
NS86BD51	Coupling Half	42 mm	D160	11.0 ÷ 15.0	86	73	88	42	12	45.3	
ND108A	Coupling Half	38 mm	D132	5.50 ÷ 7.50	108	73	77	38	10	41.3	
ND108B	Coupling Half	42 mm	D160	11.0 ÷ 15.0	108	84	110	42	125	45.3	
ND108C	Coupling Half	48 mm	D180	18.5 ÷ 22.0	108	100	110	48	14	51.8	
ND108D	Coupling Half	55 mm	D200	30.0	108	100	110	55	16	59.3	
ND143B	Coupling Half	55 mm	D200	30.0	143	106	110	55	16	59.3	
ND143C	Coupling Half	60 mm	D225	37.0 ÷ 45.0	143	137	140	60	18	64.4	
ND143D	Coupling Half	65 mm	D250	55	143	137	140	65	18	69.4	



ND Series Pump Drive Couplings

Aluminium Drive Coupling Halves - Standard DIN Pumps (1:8 Taper)

Stock No.	Description	Pump Type	Shaft Dia.	A	B	E	I	p	ch	List Price
ND48P05M	Coupling Half	Group 05	6 mm	48	30	19	16	6	2	
ND48P05GT	Coupling Half	Group 05	7 mm	48	30	19	16	7	2	
ND48PU1P	Coupling Half	Group 1	1:8 Taper	48	30	17	16	9.7	2.4	
ND65PU1P	Coupling Half	Group 1	1:8 Taper	65	34	21.5	18	9.7	2.4	
ND65P2	Coupling Half	Group 2	1:8 Taper	65	34	21.5	18	17.2	3.2 & 4.0	
ND65Q3U	Coupling Half	Group 3	1:8 Taper	65	48	21.5	18	22.2	4	
ND86P2	Coupling Half	Group 2	1:8 Taper	86	48	27	20	17.2	3.2 & 4.0	
ND86H3U	Coupling Half	Group 3	1:8 Taper	86	55	48	20	22.2	4	
ND86P3U	Coupling Half	Group 3	1:8 Taper	86	48	27	20	22.2	4	
ND108P2	Coupling Half	Group 2	1:8 Taper	108	64	34	24	17.2	3.2 & 4.0	
ND108P3U	Coupling Half	Group 3	1:8 Taper	108	64	34	24	22.2	4	



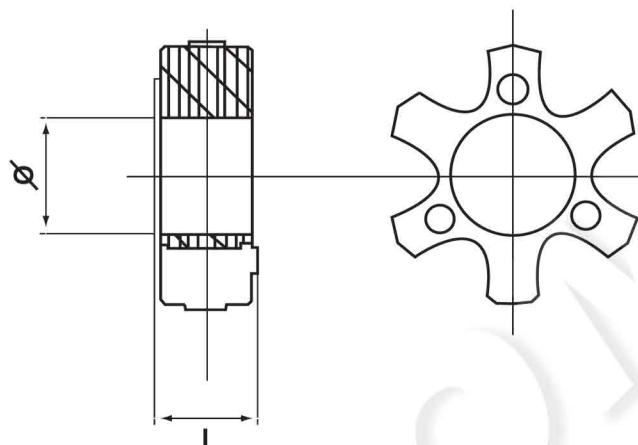
Aluminium Drive Coupling Halves - ISO Pumps (Metric - Parallel)

Stock No.	Description	Pump Type	Shaft Dia.	A	B	E	I	p	ch	List Price
ND65HD24	Coupling Half	ISO 80	20 mm	65	42	50	18	20	6	
ND65HD34	Coupling Half	ISO 100	25 mm	65	42	50	18	25	8	
ND86HD24	Coupling Half	ISO 80	20 mm	86	55	48	20	20	6	
ND86HD34	Coupling Half	ISO 100	25 mm	86	55	48	20	25	8	
ND86KD43	Coupling Half	ISO 125	32 mm	86	64	68	20	32	10	
ND108HD24	Coupling Half	ISO 80	20 mm	108	64	48	24	20	6	
ND108HD34	Coupling Half	ISO 100	25 mm	108	64	48	24	25	8	
ND108KD43	Coupling Half	ISO 125	32 mm	108	64	70	24	32	10	
ND108KD50	Coupling Half	ISO 160	40 mm	108	64	70	24	40	12	
ND143PD43	Coupling Half	ISO 125	32 mm	143	75	52	29	32	10	
ND143PD50	Coupling Half	ISO 160	40 mm	143	75	52	29	40	12	
ND143PD55	Coupling Half	ISO 200	50 mm	143	75	52	29	50	14	

ND Series Rubber Spiders

Rubber Spiders

Stock No.	Description	Fits Coupling Series	l	Ø	List Price
R42	Rubber Spider	48 Series Coupling	16	19	
R62	Rubber Spider	65 Series Coupling	18	29	
R82	Rubber Spider	86 Series Coupling	20	31.5	
R103	Rubber Spider	108 Series Coupling	24	42	
R132	Rubber Spider	143 Series Coupling	29	64	



Technical Data

Maximum allowable torque in Nm of coupling halves and maximum misalignment.

Size	Max. Allowable Torque	Kw				Max. Misalignment		
		750	1000	1500	3000	Angle	Radial (mm)	Axial (mm)
ND48	6.86	0.54	0.72	1.1	2.1	2°	0.4	1
ND65	38.2	3	4	6	12		1.6	
ND86	87.3	6.84	9.12	13.7	27.3		0.5	1.8
ND108	210	16.5	22	33	65.8		2	
ND143	725	57	76	144	228		0.6	2
OMT1	19.62	1.55	2	3	6.1	2°	0.14	1
OMT2	42.2	3.3	4.41	6.6	13.3		0.5	
OMT3	112.8	9.1	12.2	17.7	35.4			
OMT4	186.4	14	19.5	29.2	58.5			
OMT5	269.8	21.2	28.2	42.3	84.5			
OMT6	412	32.8	43	64.7	130			