

Part number:

**HYDROMA**

HYDRAULICKÉ SYSTÉMY

**HIDROMA**  
SISTEMS

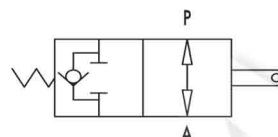
UKŁADY HYDRAULICZNE

**HYDROMA**

ГИДРАВЛИЧЕСКИЕ СИСТЕМЫ

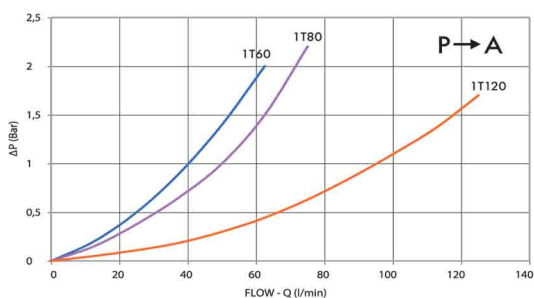
76 V-FCR 1T

## END STROKE VALVES, NORMALLY OPENED



### PRESSURE DROPS CURVE

Oil temperature: 50° C - Oil viscosity: 30 cSt



### USE AND OPERATION:

This valve is used to stop oil inlet in a hydraulic circuit or to stop actuator's stroke (normally opened valve). The valve closing, obtained by pulling or pushing the slider, allows an immediate and total stop of the oil flow.

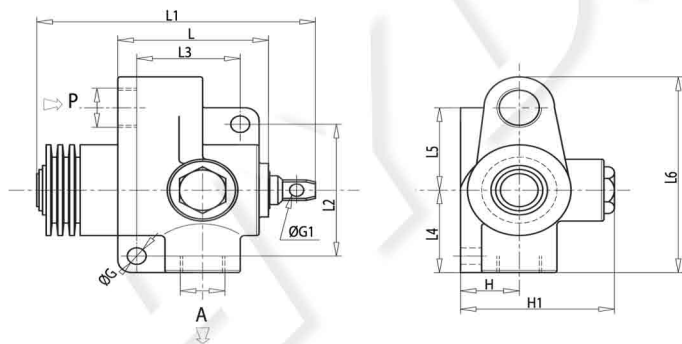
### MATERIALS AND FEATURES:

Body: cast iron  
Internal parts: grounded and hardened steel  
Seals: BUNA N standard  
Tightness: minor leakage

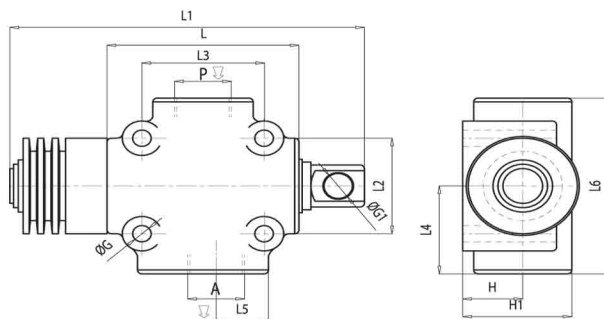
### APPLICATIONS:

Connect P to the distributor and A to the circuit or to the actuator. When slider is operating, flow is blocked from P towards A, whilst the check valve enables free oil flow in the reverse direction (from A towards P).

### 76V-FCR 1T 60-80



### 76V-FCR 1T 120



CODE	MAX FLOW Lt. / min	MAX PRESSURE Bar	START CLOSING mm	POWER Kg (±10%)	MAX STROKE mm	POWER Kg (±10%)
<b>76 V-FCR 1T 60</b>	60	350	7	6,5	20,5	18
<b>76 V-FCR 1T 80</b>	80	350	7	6,5	20,5	18
<b>76 V-FCR 1T 120</b>	120	350	9	33	15,5	50

CODE	A-P GAS	L mm	L1 mm	L2 mm	L3 mm	L4 mm	L5 mm	L6 mm	ØG mm	ØG1 mm	H mm	H1 mm	WEIGHT Kg.
<b>76 V-FCR 1T 60</b>	G 3/8"	69	130	66	45	45	41	103	8,5	6,5	26	68	1,628
<b>76 V-FCR 1T 80</b>	G 1/2"	69	130	66	45	45	41	103	8,5	6,5	26	68	1,616
<b>76 V-FCR 1T 120</b>	G 3/4"	88	173	50	56	46	23,5	92	8,5	13	27,5	50	2,112