

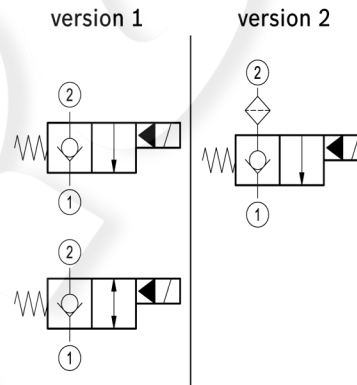
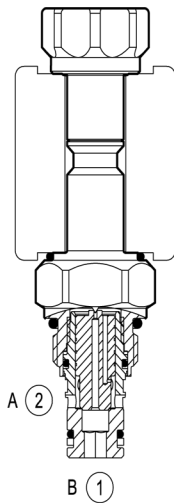
Part number:

Solenoid operated valves pilot operated poppet type 2-way normally closed

Common cavity, Size 08

VEI-8I-06-NC

OD.15 - X - 18 - Y - S0



General

Weight	kg (lbs)	0.11 (0.24)
Installation orientation		Optional
Ambient temperature range	°C (°F)	-30 to 60 (-22 to 140)

Hydraulic

Max. operating pressure	bar (psi)	350 (5000)
Max. proof pressure	bar (psi)	420 (6000)
Flow range	l/min. (gpm)	0.5-30 (0.1-8)
Fatigue cycle life	cycles	1 million cycles at 350 bar
Max. internal leakage	drops/min.	20
Fluid temperature range	°C (°F)	-20 to 80 (-4 to 176)

Fluids Mineral-based or synthetics with lubricating properties at viscosities of 20 to 380 mm²/s (cSt)

Installation torque Nm (ft-lbs) 39-51 (29-38)

Filtration Nominal value max. 10µm (NAS 8) ISO 4406 19/17/14

Cavity CA-08A-2N see RE 18325-75

Seal kit version 1-2 code material no. RG08A201052100 R901101437

Seal kit coil code material no. RG12I1PNBR7010 R934003957

Other technical data See data sheet RE 18350-50

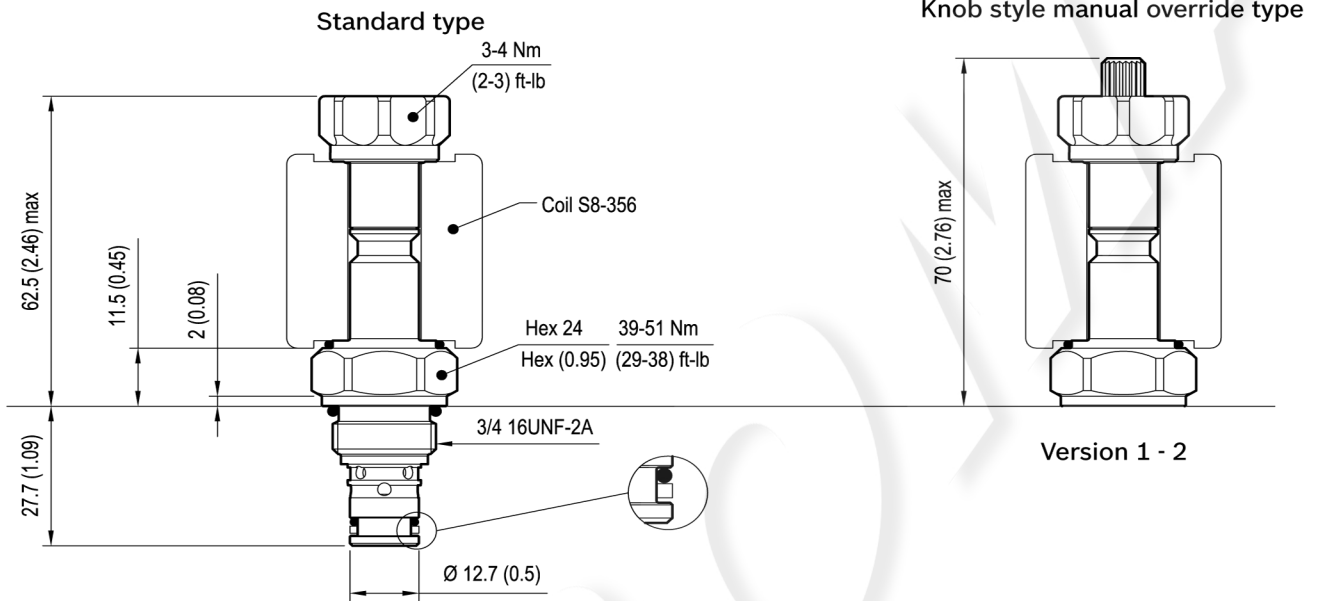
Electrical

Type of voltage	DC voltage
Coil type	S8-356 see RE 18325-90
Supply voltage	See data sheet RE 18325-90
Nominal voltage	± 10%
Power consumption	W 20
Duty cycle coil	% See performance graphs
Type of protection	See data sheet RE 18325-90

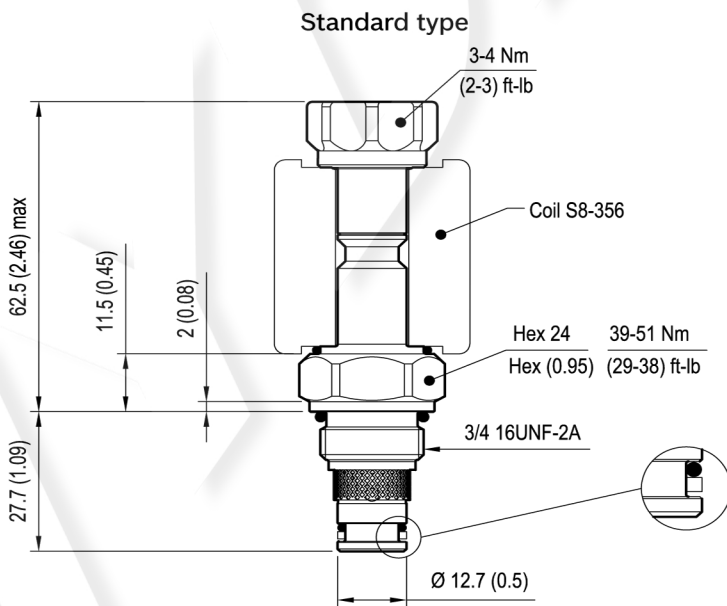
Note: Coils must be ordered separately.

Dimensions

Version 1: Solenoid operated valve, poppet 2-way normally closed



Version 2 : Solenoid operated valve, poppet 2-way normally closed - filter

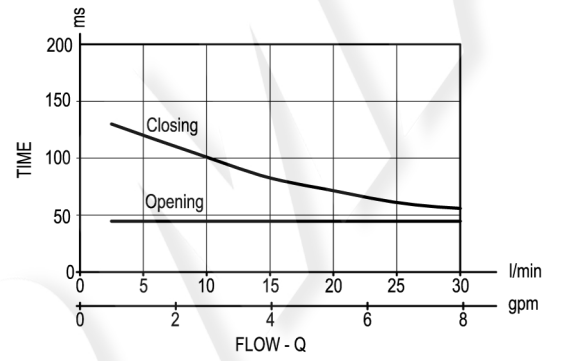
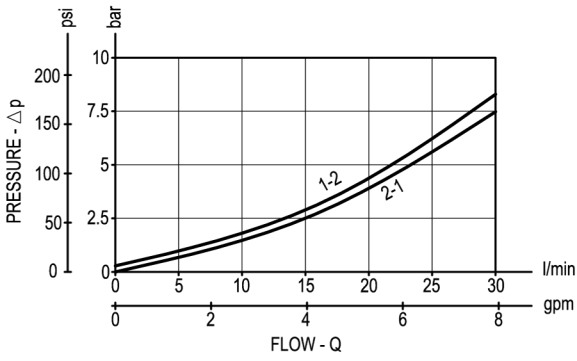


mm (Inches)

Performance graphs

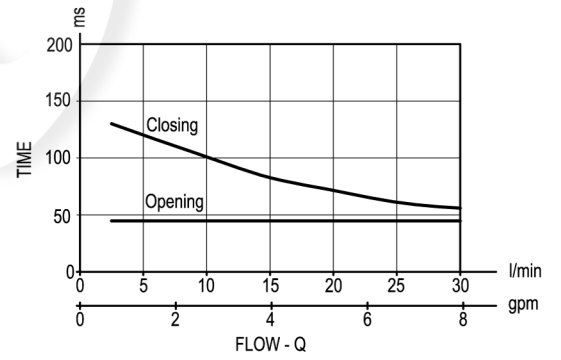
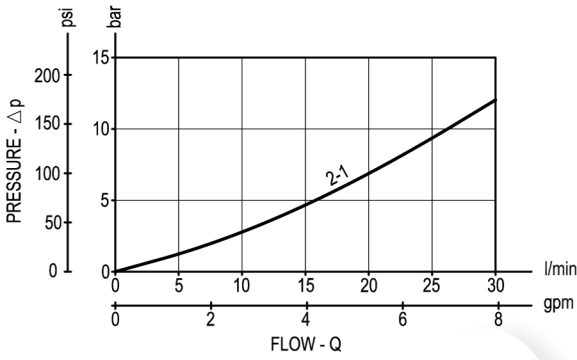
Version 1

Standard

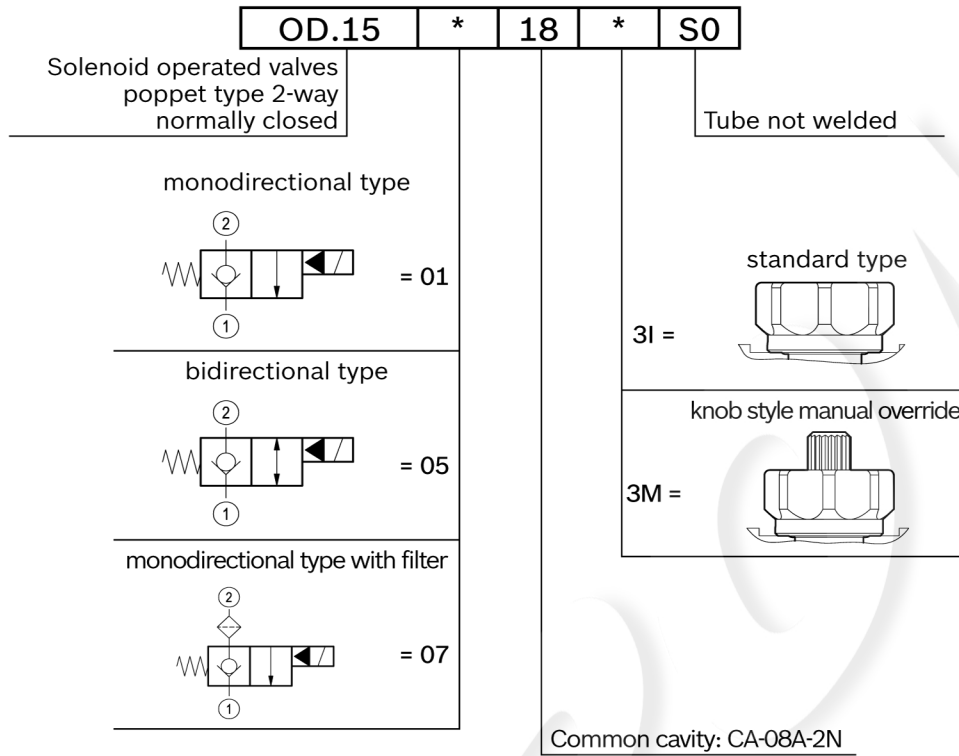


Version 2

Standard



Ordering code



Type	Material number
OD1501183IS000	R901090962
OD1501183MS00	R901090966
OD1505183IS000	R901090953
OD1505183MS00	R901090950
OD1507183IS000	R901091142
OD1507183MS00	R934003486

Type	Material number