

Part number:

**093-10254**

**HYDROMA**

HYDRAULICKÉ SYSTÉMY

**HIDROMA  
SYSTEMS**

UKŁADY HYDRAULICZNE

**HYDROMA**

ГИДРАВЛИЧЕСКИЕ СИСТЕМЫ

**Check valve sandwich plates**

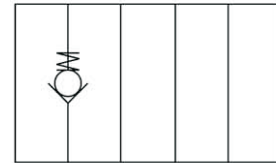
**MVJ2-06**

**HA 5013  
1/2003**

Size 06 •  $p_{max}$  up to 320 bar •  $Q_{max}$  up to 30 L/min

Replaces  
HA 5013 1/2000

- Sandwich plate design for use in vertical stacking assemblies
- Poppet design
- Leakfree closure in one or two service ports
- 8 different models
- Installation dimensions to ISO 4401-03-02-0-94 and DIN 24 340 - A6

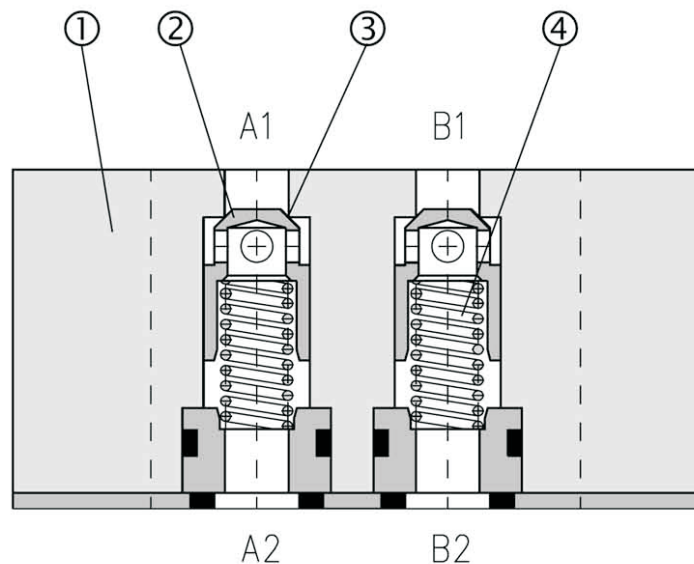


## Functional Description

The check valve sandwich plates are used to allow flow in one direction and prevent flow in the other one. The sandwich design enables vertical stacking with other components of the same size. The check elements can be built into one or two ports, the other ports being through-holes.

The seat (3) is machined directly in the housing (1) and the poppet (2) is pushed onto the seat by compression spring (4). The cracking pressure depends on the spring used, on its preload and on the pressurized poppet surface area.

The valve housing surface is phosphate coated.



# Ordering Code

**MVJ2-06**  -  -1

Sandwich check valve plate for stacking assemblies

**Seals**  
without designation  
V  
NBR  
FPM (Viton)

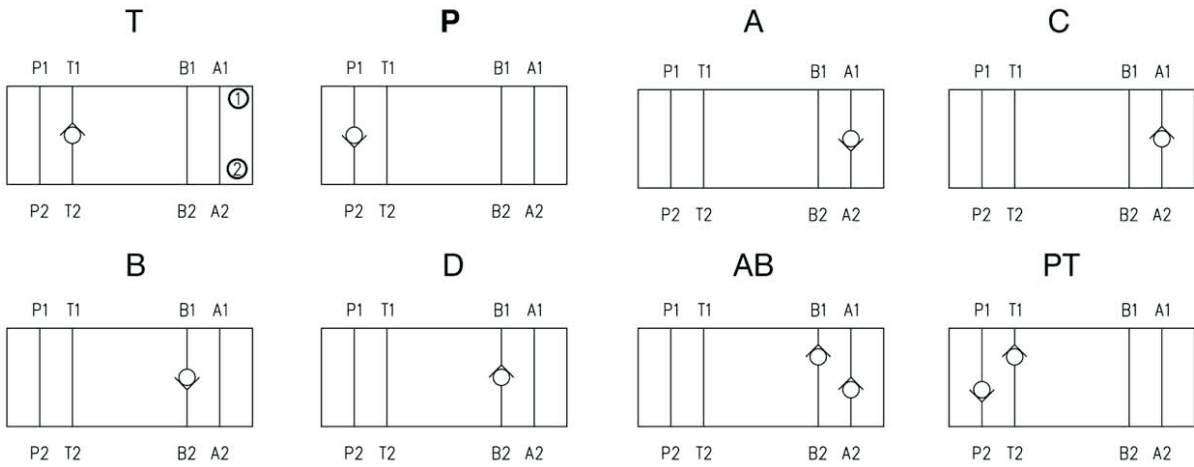
**Nominal size**  
6 mm

**06**

**005**

**Cracking pressure**  
0.5 bar

## Functional symbols



Notes: The orientation of the symbol on the name plate corresponds with the valve function.

- ① valve side
- ② subplate or manifold side

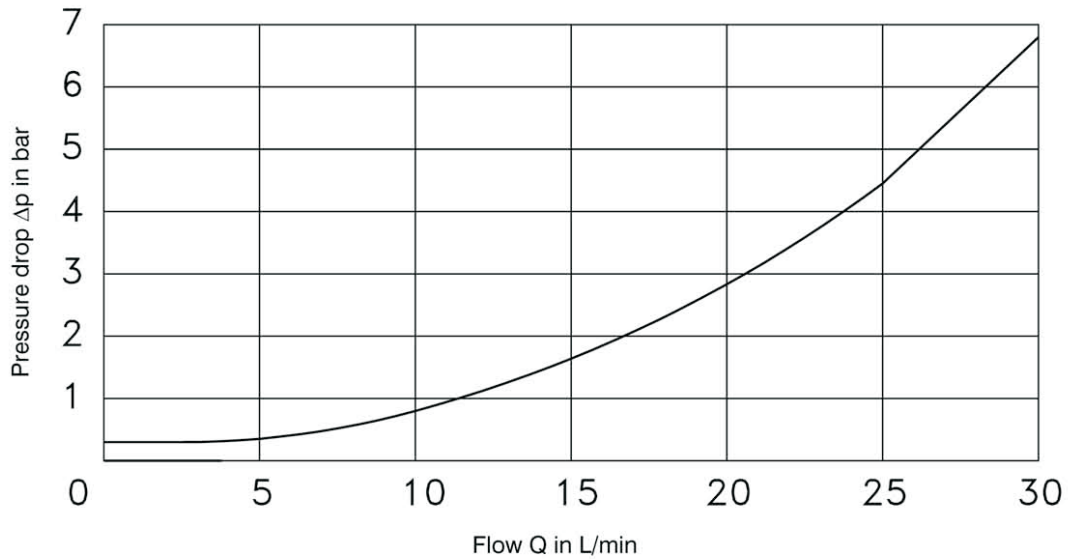
**FOR PREFERRED TYPES SEE BOLD TYPING IN ORDERING CODE AND TABLE OF PREFERRED TYPES ON PAGE 4**

## Technical Data

Nominal size	mm	06
Maximal flow rate	L/min	30
Maximum operating pressure	bar	320
Cracking pressure	bar	0.5
Hydraulic fluid	Hydraulic oils of power classes HM, HV to CETOP RP 91H in viscosity classes ISO VG 32, 46 and 68	
Fluid temperature range for standard sealing (NBR)	°C	-30 ... +80
Fluid temperature range for Viton seals (FPM)	°C	-20 ... +80
Viscosity range	mm <sup>2</sup> /s	20 ... 400
Maximum degree of fluid contamination	Class 21/18/15 to ISO 4406 (1999).	
Weight	kg	0.8
Mounting position	optional	

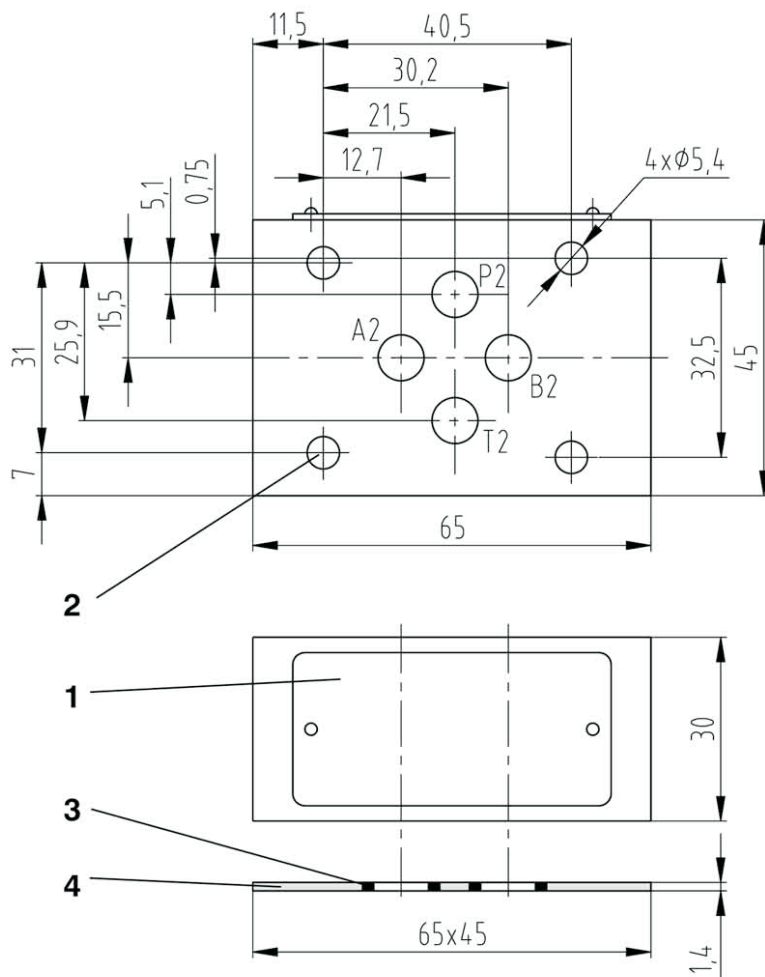
### Δp-Q Characteristic

Measured at  $v = 35 \text{ mm}^2/\text{s}$  and  $t = 40 \text{ }^\circ\text{C}$

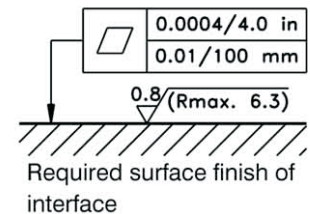


### Valve Dimensions

Dimensions in millimetres



- 1 Name plate
- 2 4 mounting through-holes
- 3 Square ring 9.25x1.68 (4 pcs.) supplied with valve
- 4 Square-ring plate supplied with valve



## Spare Parts

Seal kit			
Type	Dimensions, quantity		Ordering number
	O-ring	Square ring	
Standard NBR70	10 x 1.8 (2 pcs.)	9.25 x 1.68 (4 pcs.)	530-0198
Viton	9.75 x 1.78 (2 pcs.)	9.25 x 1.78 (4 pcs.)	530-0202

## Preferred Types of Valves

Type	Ordering Number
MVJ2-06/P-005-1	530-0049

## Caution!

- The packing foil is recyclable.
- Mounting bolts M5 must be ordered separately. Tightening torque of the bolts is 8.9 Nm.
- The technical information regarding the product presented in this catalogue is for descriptive purposes only. It should not be construed in any case as a guaranteed representation of the product properties in the sense of the law.

Subject to alteration without notice!