

Part number:

**HYDROMA**

HYDRAULICKÉ SYSTÉMY

**HIDROMA  
SISTEMS**

UKŁADY HYDRAULICZNE

**HYDROMA**

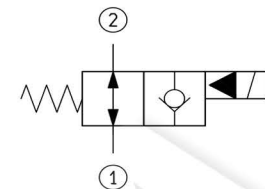
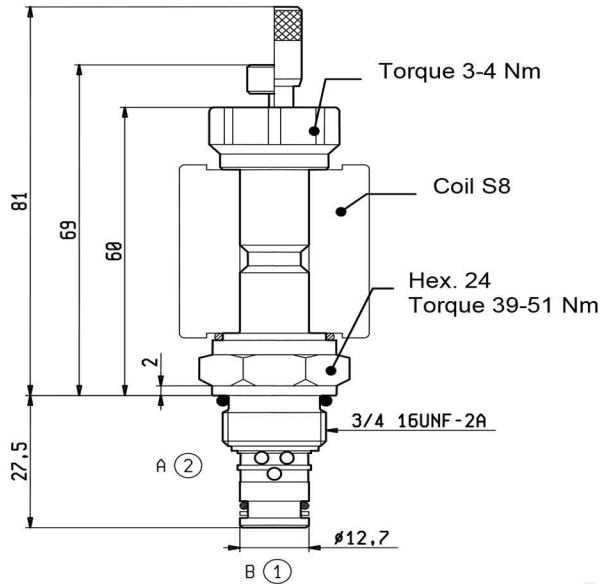
ГИДРАВЛИЧЕСКИЕ СИСТЕМЫ

**SOLENOID OPERATED VALVES  
POPPET 2-WAY NORMALLY OPEN  
CARTRIDGE STYLE**

**VEI-8I-2A-06-NA-S-NSS**

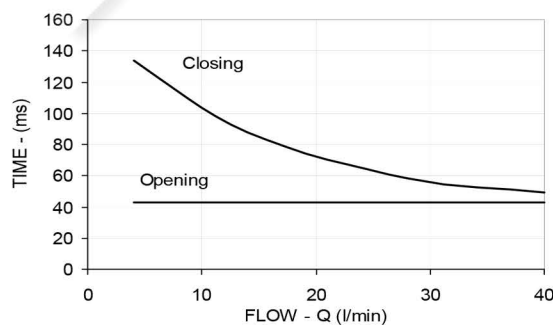
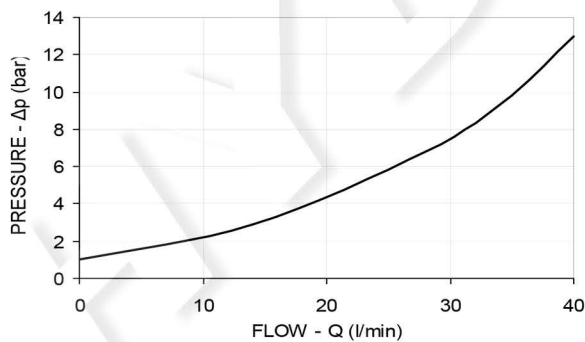
**OD.15.06.18 - Y - S0**

PATENT PENDING



**TECHNICAL DATA**

Maximum Operating Pressure	350	bar
Fatigue Cycle Life at 350 bar and 0.5 Hz (1 s ON - 1 s OFF)	10 million	cycles
Rated Flow	30	l/min
Cavity - Tooling (018-E)	page 7.01.100	
Weight	0.130	kg
Fluids - Temperatures	page 7.01.040	
Testing Conditions - Seals	page 7.01.040	
Internal Leakage	page 7.01.040	
Filtration : 25 µm nominal or better	page 7.01.050	
Minimum Voltage Required	90% of nominal	
Coils must be ordered separately	page 1.71.050	
Mounting Position	unrestricted	



**Y ORDERING OPTIONS**

<b>1I</b>	Standard	
<b>1L</b>	Push Style Manual Override	
<b>1M</b>	Push and Twist Style Manual Override	