

Part number:

HYDROMA

HYDRAULICKÉ SYSTÉMY

**HIDROMA
SYSTEMS**

UKŁADY HYDRAULICZNE

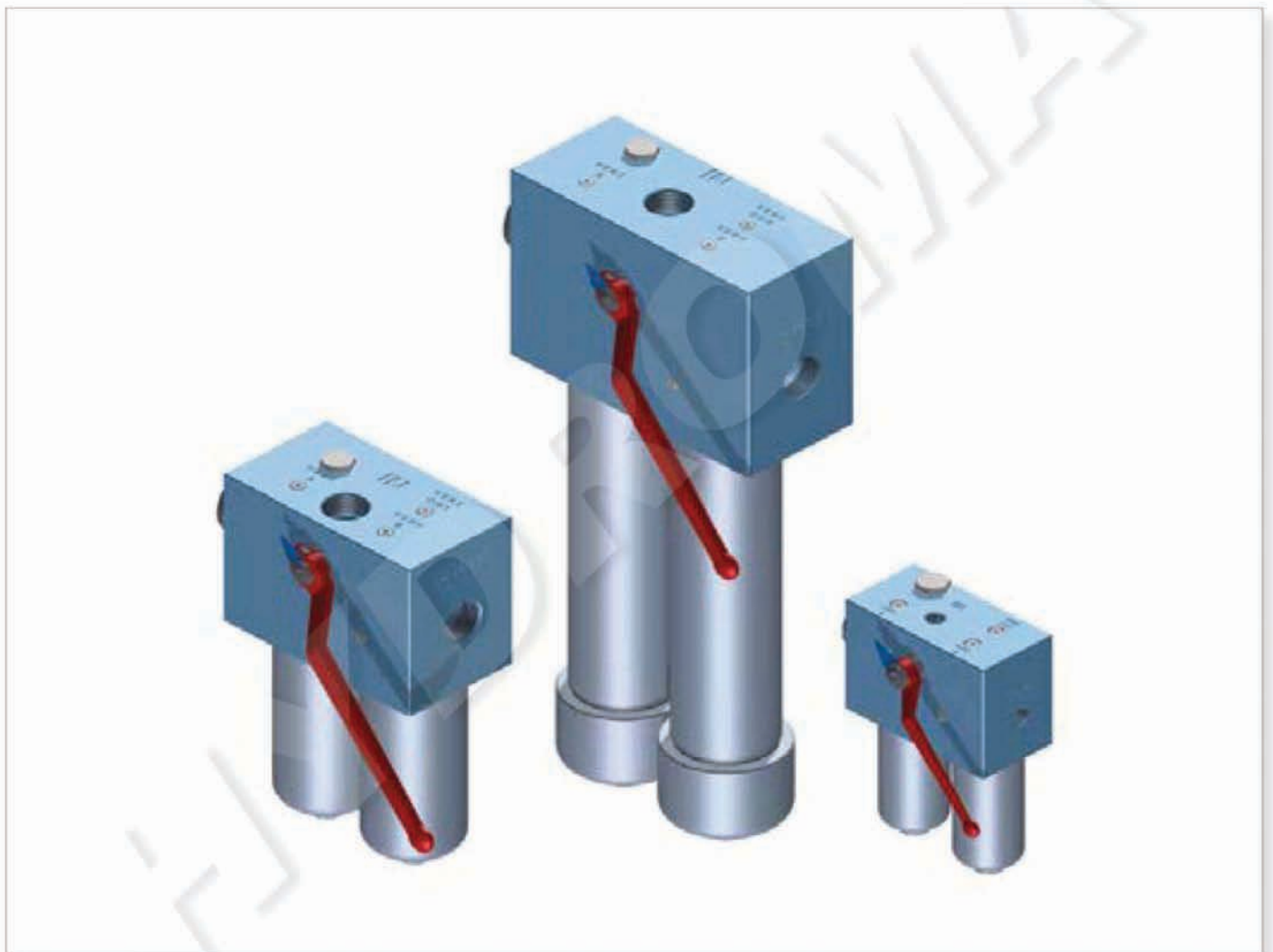
HYDROMA

ГИДРАВЛИЧЕСКИЕ СИСТЕМЫ

High Pressure filters

FHD series

Maximum pressure up to 350 bar - Flow rate up to 345 l/min



The correct filter sizing have to be based on the variable pressure drop depending by the application. For example, for the return filter the pressure drop have to be in the range 0.4 - 0.6 bar.

The pressure drop calculation is performed by adding together the value of the housing with the value of the filter element. The pressure drop in the housing is proportional to the fluid density (kg/dm³); all the graphs in the catalogue are referred to mineral oil with density of 0.86 kg/dm³.

The filter element pressure drop is proportional to its viscosity (mm²/s), the corrective factor Y is related to an oil viscosity different than 30 mm²/s.

Sizing data for single cartridge, head at top

Δp_c = Filter housing pressure drop [bar]

Δp_e = Filter element pressure drop [bar]

Y = Multiplication factor Y (see correspondent table), depending on the filter element size, on the filter element length and on the filter media

Q = flow rate (l/min)

V1 reference viscosity = 30 mm²/s (cSt)

V2 = operating viscosity in mm²/s (cSt)

$\Delta p_e = Y : 1000 \times Q \times (V2/V1)$

$\Delta p_{Tot.} = \Delta p_c + \Delta p_e$

Calculation examples with HLP Mineral oil Variation in viscosity

Application data:

Top tank return filter

Filter with in-line connections

Pressure Pmax = 10 bar

Flow rate Q = 120 l/min

Viscosity V2 = 46 mm²/s (cSt)

Oil viscosity = 0.86 kg/dm³

Required filtration efficiency = 25 µm with absolute filtration

With bypass valve and 1 1/4" inlet connection

From the working pressure and the flow rate we understand it should be possible using the following top tank return filter series: MPT, MPH and FRI. Let's proceed with MPT series.

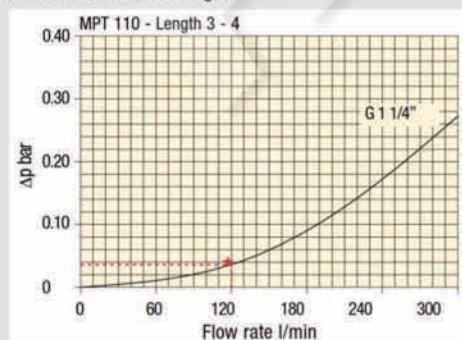
The size 20 doesn't achieve the required flow rate, therefore we have to consider the size 100. The final version of size 100 (101, 104, 110, 120 and 114) will be then defined in function of the mounting characteristics.

$\Delta p_c = 0.03$ bar (★ see graphic below, considering size 100 with the max available length to get the lowest pressure drop)

$\Delta p_e = (2.0 : 1000) \times 120 \times (46/30) = 0.37$ bar

$\Delta p_{Tot.} = 0.03 + 0.37 = 0.4$ bar

The selection is correct because the total pressure drop value is inside the admissible range for top tank return filters. It is of course possible trying to find a different solution, according to the mounting position or to other commercial need, repeating the previous steps while using a different series or length.



Filter housings Δp pressure drop.

The curves are plotted using mineral oil with density of 0.86 kg/dm³ in compliance with ISO 3968. Δp varies proportionally with density.

Corrective factor Y, to be used for the filter element pressure drop calculation. The values depend to the filter size and length and to the filter media.

Reference viscosity 30 mm²/s

Return filters

Filter element	Absolute filtration H Series					Nominal filtration N Series			
	Type	A03	A06	A10	A16	A25	P10	P25	M25 M60 M90
MF 020	1	74.00	50.08	20.00	16.00	9.00	6.43	5.51	4.40
	2	29.20	24.12	8.00	7.22	5.00	3.33	2.85	2.00
	3	22.00	19.00	6.56	5.33	4.33	1.68	1.44	1.30
MF 030	1	74.00	50.08	20.00	16.00	9.00	6.43	5.51	3.40
MF 100 MFX 100	1	28.20	24.40	8.67	8.17	6.88	4.62	3.96	1.25
	2	17.33	12.50	6.86	5.70	4.00	3.05	2.47	1.10
	3	10.25	9.00	3.65	3.33	2.50	1.63	1.32	0.96
	4	6.10	5.40	2.30	2.20	2.00	1.19	0.96	0.82
MF 180 MFX 180	1	3.67	3.05	1.64	1.56	1.24	1.18	1.06	0.26
	2	1.69	1.37	0.68	0.54	0.51	0.43	0.39	0.12
MF 190 MFX 190	1	3.20	2.75	1.39	1.33	1.06	0.96	0.87	0.22
	2	2.00	1.87	0.88	0.85	0.55	0.49	0.45	0.13
MF 400 MFX 400	1	1.90	1.60	0.63	0.51	0.49	0.39	0.35	0.11
	2	1.90	1.60	0.63	0.51	0.49	0.39	0.35	0.11
MF 750 MFX 750	1	1.08	0.84	0.49	0.36	0.26	0.21	0.19	0.06
	2	1.08	0.84	0.49	0.36	0.26	0.21	0.19	0.06
CU 025	1	78.00	48.00	28.00	24.00	9.33	9.33	8.51	1.25
CU 040	1	25.88	20.88	10.44	10.00	3.78	3.78	3.30	1.25
CU 100	1	15.20	14.53	5.14	4.95	2.00	2.00	0.17	1.10
CU 250	1	3.25	2.55	1.55	1.35	0.71	0.71	0.59	0.25
CU 630	1	1.96	1.68	0.85	0.72	0.42	0.42	0.36	0.09
CU 850	1	1.06	0.84	0.42	0.33	0.17	0.17	0.13	0.04
MR 100	1	19.00	17.00	6.90	6.30	4.60	2.94	2.52	1.60
	2	11.70	10.80	4.40	4.30	3.00	2.94	2.52	1.37
	3	7.80	6.87	3.70	3.10	2.70	2.14	1.84	1.34
	4	5.50	4.97	2.60	2.40	2.18	1.72	1.47	1.34
	5	4.20	3.84	2.36	2.15	1.90	1.60	1.37	1.34
MR 250	1	5.35	4.85	2.32	1.92	1.50	1.38	1.20	0.15
	2	4.00	3.28	1.44	1.10	1.07	0.96	0.83	0.13
	3	2.60	2.20	1.08	1.00	0.86	0.77	0.64	0.12
	4	1.84	1.56	0.68	0.56	0.44	0.37	0.23	0.11
MR 630	1	3.10	2.48	1.32	1.14	0.92	0.83	0.73	0.09
	2	2.06	1.92	0.82	0.76	0.38	0.33	0.27	0.08
	3	1.48	1.30	0.60	0.56	0.26	0.22	0.17	0.08
	4	1.30	1.20	0.48	0.40	0.25	0.21	0.16	0.08
	5	0.74	0.65	0.30	0.28	0.13	0.10	0.08	0.04
MR 850	1	0.60	0.43	0.34	0.25	0.13	0.12	0.09	0.03
	2	0.37	0.26	0.23	0.21	0.11	0.08	0.07	0.03
	3	0.27	0.18	0.17	0.17	0.05	0.04	0.04	0.02
	4	0.23	0.16	0.13	0.12	0.04	0.03	0.03	0.02

Corrective factor Y, to be used for the filter element pressure drop calculation.
The values depend to the filter size and length and to the filter media.

Reference viscosity 30 mm²/s

Suction filters

Filter element	Nominal filtration N Series	
	P10	P25
SF 250	65	21

Return / Suction filters

Filter element	Absolute filtration			
	A10	A16	A25	
RSX 116	1	5.12	4.33	3.85
	2	2.22	1.87	1.22
RSX 165	1	2.06	1.75	1.46
	2	1.24	1.05	0.96
	3	0.94	0.86	0.61

Low & Medium pressure filters

Filter element	Type	Absolute filtration N-W Series					Nominal filtration N Series		
		A03	A06	A10	A16	A25	P10	P25	M25
CU 110	1	16.25	15.16	8.75	8.14	5.87	2.86	2.65	0.14
	2	12.62	10.44	6.11	6.02	4.15	1.60	1.49	0.12
	3	8.57	7.95	5.07	4.07	2.40	1.24	1.15	0.11
	4	5.76	4.05	2.80	2.36	1.14	0.91	0.85	0.05
CU 210	1	5.30	4.80	2.00	1.66	1.32	0.56	0.43	0.12
	2	3.44	2.95	1.24	1.09	0.70	0.42	0.35	0.09
	3	2.40	1.70	0.94	0.84	0.54	0.33	0.23	0.05
DN	016	7.95	7.20	3.00	2.49	1.98	0.84	0.65	0.18
	025	5.00	4.53	1.89	1.57	1.25	0.53	0.41	0.11
	040	3.13	2.66	1.12	0.98	0.63	0.38	0.32	0.08
CU 400	2	3.13	2.55	1.46	1.22	0.78	0.75	0.64	0.19
	3	2.15	1.70	0.94	0.78	0.50	0.40	0.34	0.10
	4	1.60	1.28	0.71	0.61	0.40	0.34	0.27	0.08
	5	1.00	0.83	0.47	0.34	0.20	0.24	0.19	0.06
	6	0.82	0.58	0.30	0.27	0.17	0.22	0.18	0.05
	900	1	0.86	0.63	0.32	0.30	0.21	-	-
CU 950	2	1.03	0.80	0.59	0.40	0.26	-	-	0.05
	3	0.44	0.40	0.27	0.18	0.15	-	-	0.02
MR 630	7	0.88	0.78	0.36	0.34	0.16	0.12	0.96	0.47

FILTER SIZING Corrective factor

Corrective factor Y, to be used for the filter element pressure drop calculation.
The values depend to the filter size and lenght and to the filter media.

Reference viscosity 30 mm²/s

High pressure filters

Filter element	Absolute filtration N - R Series					Nominal filtration N Series	
	Type	A03	A06	A10	A16		A25
HP 011	1	332.71	250.07	184.32	152.36	128.36	-
	2	220.28	165.56	74.08	59.13	37.05	-
	3	123.24	92.68	41.48	33.08	20.72	-
	4	77.76	58.52	28.37	22.67	16.17	-
HP 039	1	70.66	53.20	25.77	20.57	14.67	4.90
	2	36.57	32.28	18.00	13.38	8.00	2.90
	3	26.57	23.27	12.46	8.80	5.58	2.20
HP 050	1	31.75	30.30	13.16	12.3	7.29	1.60
	2	24.25	21.26	11.70	9.09	4.90	1.40
	3	17.37	16.25	8.90	7.18	3.63	1.25
	4	12.12	10.75	6.10	5.75	3.08	1.07
	5	7.00	6.56	3.60	3.10	2.25	0.80
HP 065	1	58.50	43.46	23.16	19.66	10.71	1.28
	2	42.60	25.64	16.22	13.88	7.32	1.11
	3	20.50	15.88	8.18	6.81	3.91	0.58
HP 135	1	20.33	18.80	9.71	8.66	4.78	2.78
	2	11.14	10.16	6.60	6.38	2.22	1.11
	3	6.48	6.33	3.38	3.16	2.14	1.01
HP 320	1	10.88	9.73	5.02	3.73	2.54	1.04
	2	4.40	3.83	1.75	1.48	0.88	0.71
	3	2.75	2.11	1.05	0.87	0.77	0.61
	4	2.12	1.77	0.98	0.78	0.55	0.47
HP 500	1	4.44	3.67	2.30	2.10	1.65	0.15
	2	3.37	2.77	1.78	1.68	1.24	0.10
	3	2.22	1.98	1.11	1.09	0.75	0.08
	4	1.81	1.33	0.93	0.86	0.68	0.05
	5	1.33	1.15	0.77	0.68	0.48	0.04

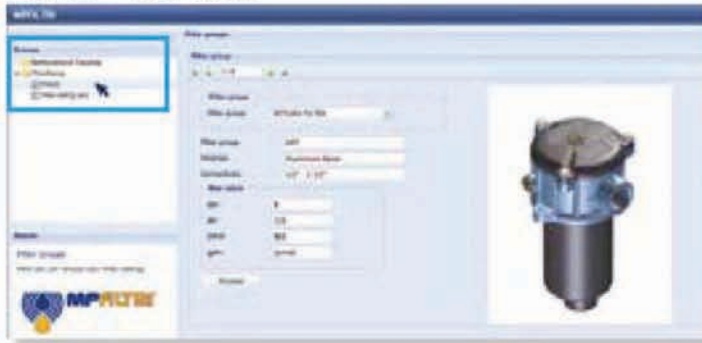
Filter element	Absolute filtration N Series					Nominal filtration N Series	
	Type	A03	A06	A10	A16		A25
HP 320	1	3.65	2.95	2.80	1.80	0.90	0.38
	2	2.03	1.73	1.61	1.35	0.85	0.36
	3	1.84	1.42	1.32	1.22	0.80	0.35

Stainless steel high pressure filters

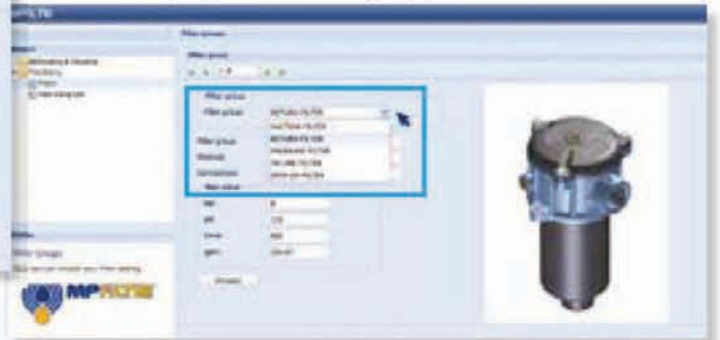
Filter element	Absolute filtration N Series					
	Type	A03	A06	A10	A16	A25
HP 011	1	332.71	250.07	184.32	152.36	128.36
	2	220.28	165.56	74.08	59.13	37.05
	3	123.24	92.68	41.48	33.08	20.72
	4	77.76	58.52	28.37	22.67	16.17
HP 039	2	70.66	53.20	25.77	20.57	14.67
	3	36.57	32.28	18.00	13.38	8.00
	4	26.57	23.27	12.46	0.88	5.58
	1	31.75	30.30	13.16	12.3	7.29
HP 050	2	24.25	21.26	11.70	9.09	4.90
	3	17.37	16.25	8.90	7.18	3.63
	4	12.12	10.75	6.10	5.75	3.08
	5	7.00	6.56	3.60	3.10	2.25
	1	20.33	18.80	9.71	8.66	4.78
HP 135	2	11.14	10.16	6.60	6.38	2.22
	3	6.48	6.33	3.38	3.16	2.14

Filter element	Absolute filtration H - U Series					
	Type	A03	A06	A10	A16	A25
HP 011	1	424.58	319.74	235.17	194.44	163.78
	2	281.06	211.25	94.53	75.45	47.26
	3	130.14	97.50	43.63	34.82	21.81
	4	109.39	82.25	36.79	29.37	18.40
HP 039	2	70.66	53.20	25.77	20.57	14.67
	3	36.57	32.28	18.00	13.38	8.00
	4	26.57	23.27	12.46	8.80	5.58
	1	47.33	34.25	21.50	20.50	14.71
HP 050	2	29.10	25.95	14.04	10.90	5.88
	3	20.85	19.50	10.68	8.61	4.36
	4	14.55	12.90	7.32	6.90	3.69
	5	9.86	9.34	6.40	4.80	2.50
	1	29.16	25.33	13.00	12.47	5.92
HP 135	2	14.28	11.04	7.86	7.60	4.44
	3	8.96	7.46	4.89	4.16	3.07

Step 1 Select "FILTERS"



Step 2 Choose filter group (Return Filter, Pressure Filter, etc.)



Step 3 Choose filter type (MPF, MPT, etc.) in function of the max working pressure and the max flow rate



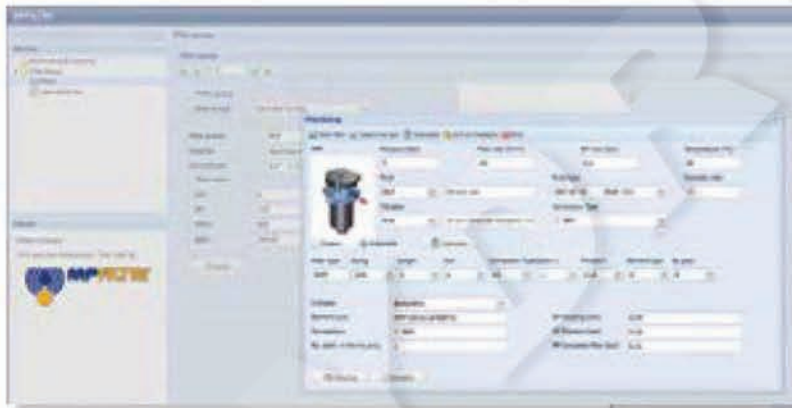
Step 4 Push "PROCEED"



Step 5

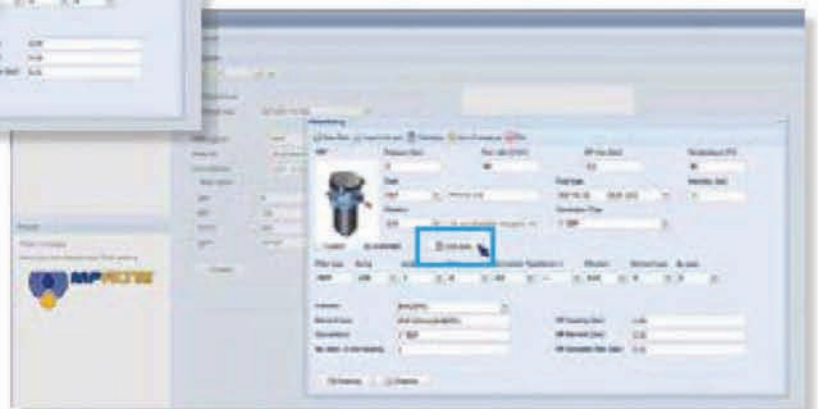
Insert all application data to calculate the filter size following the sequence:

- working pressure
- working flow rate
- working pressure drop
- working temperature
- fluid material and fluid type
- filtration media
- connection type



Step 6

Push "CALCULATE" to have result; in case of any mistake, the system will advice which parameter is out of range to allow to modify/adjust the selection



Step 7

Download PDF Datasheet "Report.aspx" pushing the button "Drawing"

Technical data

High Pressure filters Maximum pressure up to 350 bar - Flow rate up to 345 l/min

Filter housing materials

- Head: Phosphatized cast iron
- Housing: Phosphatized steel
- Bypass valve: Steel

Bypass valve

- Opening pressure 600 kPa (6 bar)
- Other opening pressures on request.

Seals

- Standard NBR series A
- Optional FPM series V

Pressure

- Working pressure: 35 MPa (350 bar)
- Test pressure: 52.5 MPa (525 bar)
- Burst pressure: 105 MPa (1050 bar)
- Pulse pressure fatigue test: 1 000 000 cycles with pressure from 0 to 35 MPa (350 bar)

Δp element type

- Microfibre filter elements - series R: 20 bar
- Microfibre filter elements - series H: 210 bar (only for FHD 021)
- Microfibre filter elements - series S: 210 bar (not available for FHD 021)
- Wire mesh filter elements - series N: 20 bar
- Fluid flow through the filter element from OUT to IN.

Temperature

From -25 °C to +110 °C

Connections

In-line Inlet/Outlet 90°

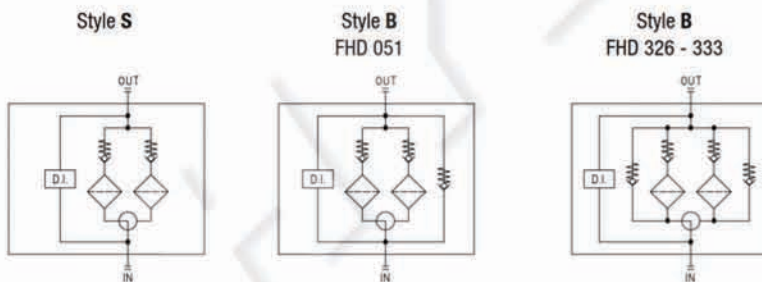
Note

FHD filters are provided for vertical mounting

Weights [kg] and volumes [dm³]

	Weights [kg]					Volumes [dm ³]						
	Lenght	1	2	3	4	5	Lenght	1	2	3	4	5
FHD 021	-	6.66	7.15	8.15	-	-	-	0.06	0.12	0.22	-	-
FHD 051	13.41	13.78	14.19	14.66	-	-	0.22	0.31	0.41	0.53	-	-
FHD 326	36.35	39.48	10.77	-	-	-	0.88	1.60	2.37	-	-	-
FHD 333	-	64.48	66.77	69.25	-	-	-	1.75	2.52	3.35	-	-

Hydraulic symbols

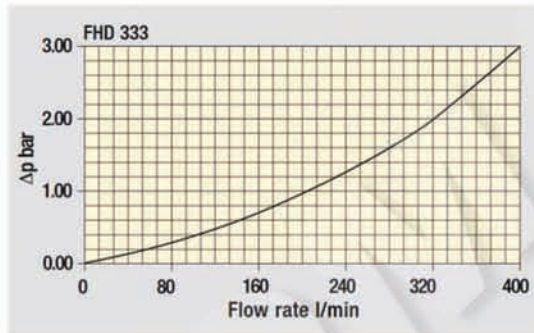
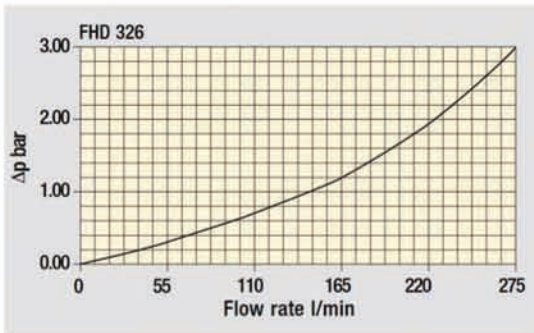
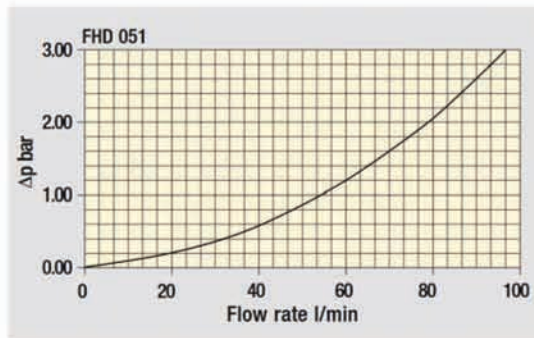
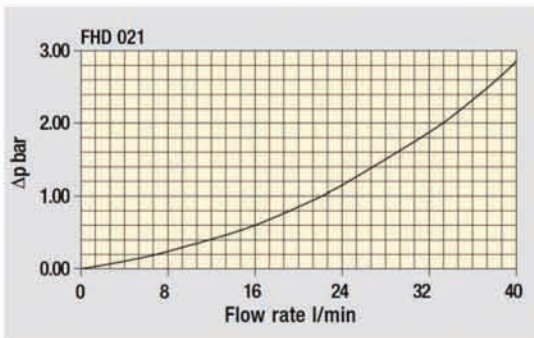


The curves are plotted using mineral oil with density of 0.86 kg/dm³ in compliance with ISO 3968.

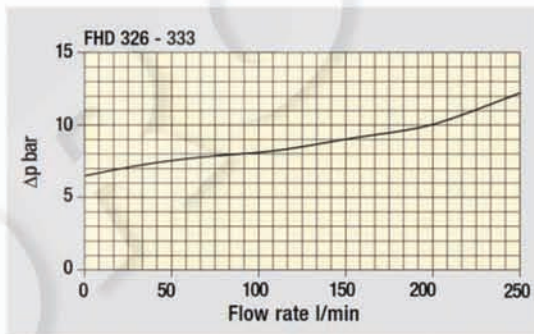
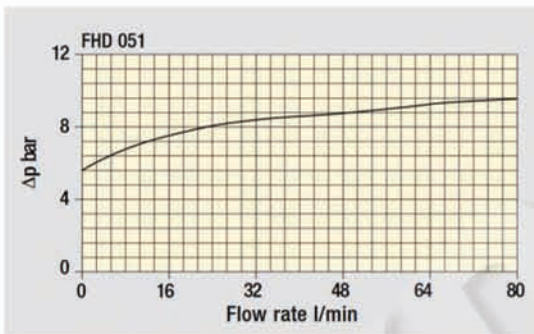
Δp varies proportionally with density.

Pressure drop

Filter housings Δp pressure drop



Bypass valve pressure drop



FHD FHD021

Designation & Ordering code

COMPLETE FILTER

Series and size FHD021	Configuration example: FHD021 4 S A G1 A06 H P01									
Length 2 3 4										
Valves S Without bypass										
Seals A NBR V FPM										
Connections G1 G1/2" G2 1/2" NPT G3 SAE 8 - 3/4" - 16 UNF										
Filtration rating (filter media)										
A03 Inorganic microfiber 3 µm	A16 Inorganic microfiber 16 µm									
A06 Inorganic microfiber 6 µm	A25 Inorganic microfiber 25 µm									
A10 Inorganic microfiber 10 µm	M25 Wire mesh 25 µm									

Element Δp	Filtration rating		Execution
	Axx	M25	
N 20 bar		•	P01 MP Filtri standard
H 210 bar	•		Pxx Customized

FILTER ELEMENT

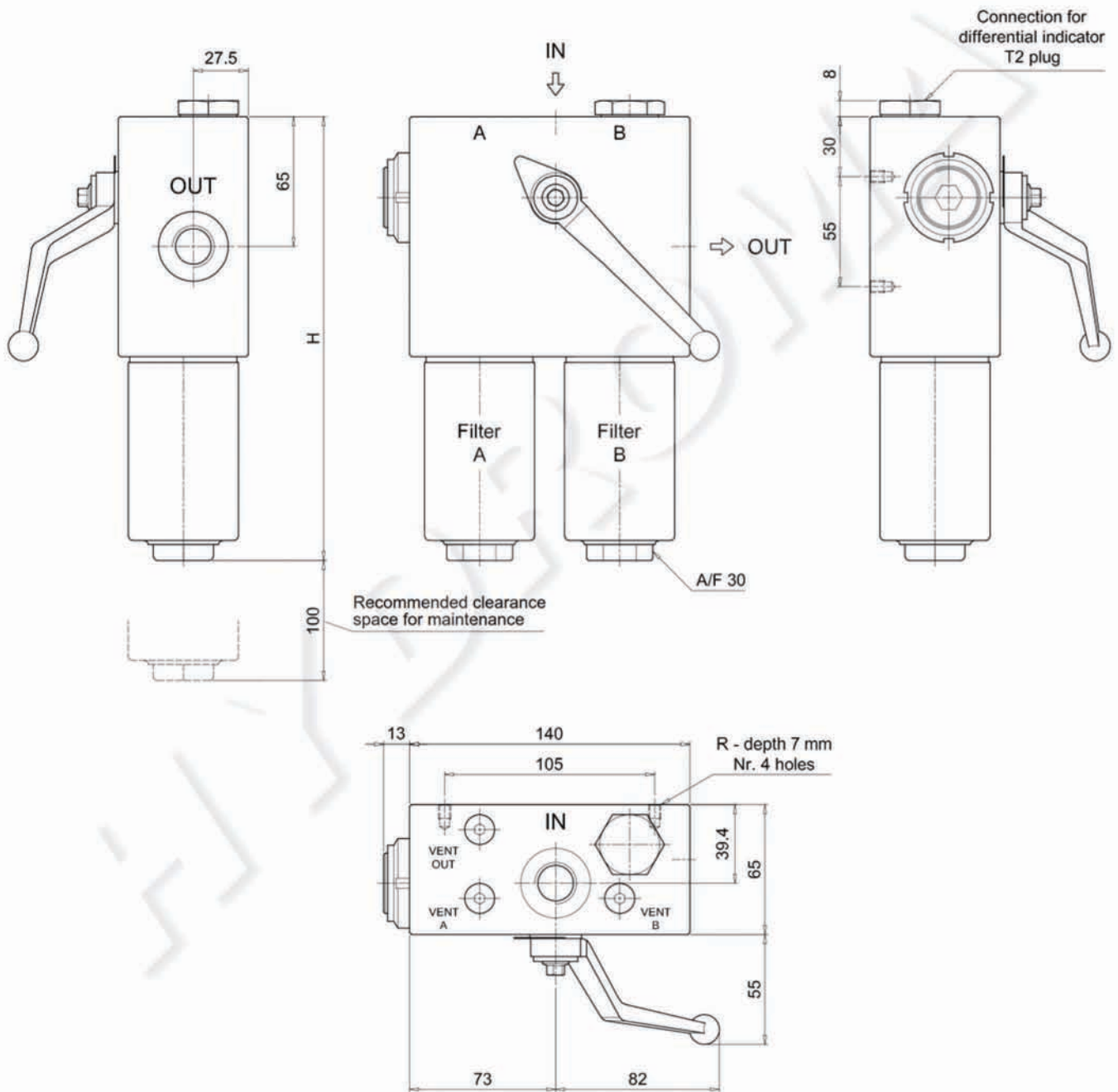
Element series and size HP011	Configuration example: HP011 4 A06 A H P01						
Element length 2 3 4							
Filtration rating (filter media)							
A03 Inorganic microfiber 3 µm	A16 Inorganic microfiber 16 µm						
A06 Inorganic microfiber 6 µm	A25 Inorganic microfiber 25 µm						
A10 Inorganic microfiber 10 µm	M25 Wire mesh 25 µm						

Seals	Element Δp	Filtration rating		Execution
		Axx	M25	
A NBR	N 20 bar		•	P01 MP Filtri standard
V FPM	H 210 bar	•	•	Pxx Customized

ACCESSORIES

Differential indicators	page		page
DEA Electrical differential indicator	517	DTA Electronic differential indicator	520
DEM Electrical differential indicator	517-518	DVA Visual differential indicator	520
DLA Electrical / visual differential indicator	518-519	DVM Visual differential indicator	520
DLE Electrical / visual differential indicator	519		
Additional features	page		
T2 Plug	521		

FHDO21	
Filter length	H [mm]
2	172
3	222
4	272
Connections	R
G1	M6
G2 - G3	1/4" UNC



FHD FHD051 - FHD326 - FHD333

Designation & Ordering code

COMPLETE FILTER

Series and size Configuration example: **FHD326** | **3** | **S** | **A** | **G1** | **M25** | **N** | **P01**

FHD051 | **FHD326** | **FHD333**

Length	FHD051	FHD326	FHD333
1		•	
2	•	•	•
3	•	•	•
4	•		•
5	•		

Valves

S Without bypass

B With bypass 6 bar

Seals

A NBR

V FPM

Connections	FHD051	FHD326	FHD333
G1	G3/4"	G1 1/4"	-
G2	3/4" NPT	1 1/4" NPT	-
G3	G1/2"	SAE 20 - 1 5/8" - 12 UN	-
G4	1/2" NPT	-	-
G5	SAE 8 - 3/4" - 16 UNF	-	-
G6	SAE 12 - 1 1/16" - 12 UN	-	-
F1	-	-	1 1/2" 6000 psi/M
F2	-	-	1 1/2" 6000 psi/UNC

Filtration rating (filter media)

A03	Inorganic microfiber	3 µm
A06	Inorganic microfiber	6 µm
A10	Inorganic microfiber	10 µm
A16	Inorganic microfiber	16 µm
A25	Inorganic microfiber	25 µm
M25	Wire mesh	25 µm

Element Δp	Filtration rating	
	Axx	M25
N 20 bar		•
R 20 bar	•	•
S 210 bar	•	•

Execution	
P01	MP Filtri standard
Pxx	Customized

FILTER ELEMENT

Element series and size Configuration example: **HP320** | **3** | **M25** | **A** | **N** | **P01**

HP050 | **HP320**

Element length	HP050	HP320
1		•
2	•	•
3	•	•
4	•	•
5	•	

Element length	HP050	HP320
1		•
2	•	•
3	•	•
4	•	•
5	•	

Filtration rating (filter media)

A03	Inorganic microfiber	3 µm
A06	Inorganic microfiber	6 µm
A10	Inorganic microfiber	10 µm
A16	Inorganic microfiber	16 µm
A25	Inorganic microfiber	25 µm
M25	Wire mesh	25 µm

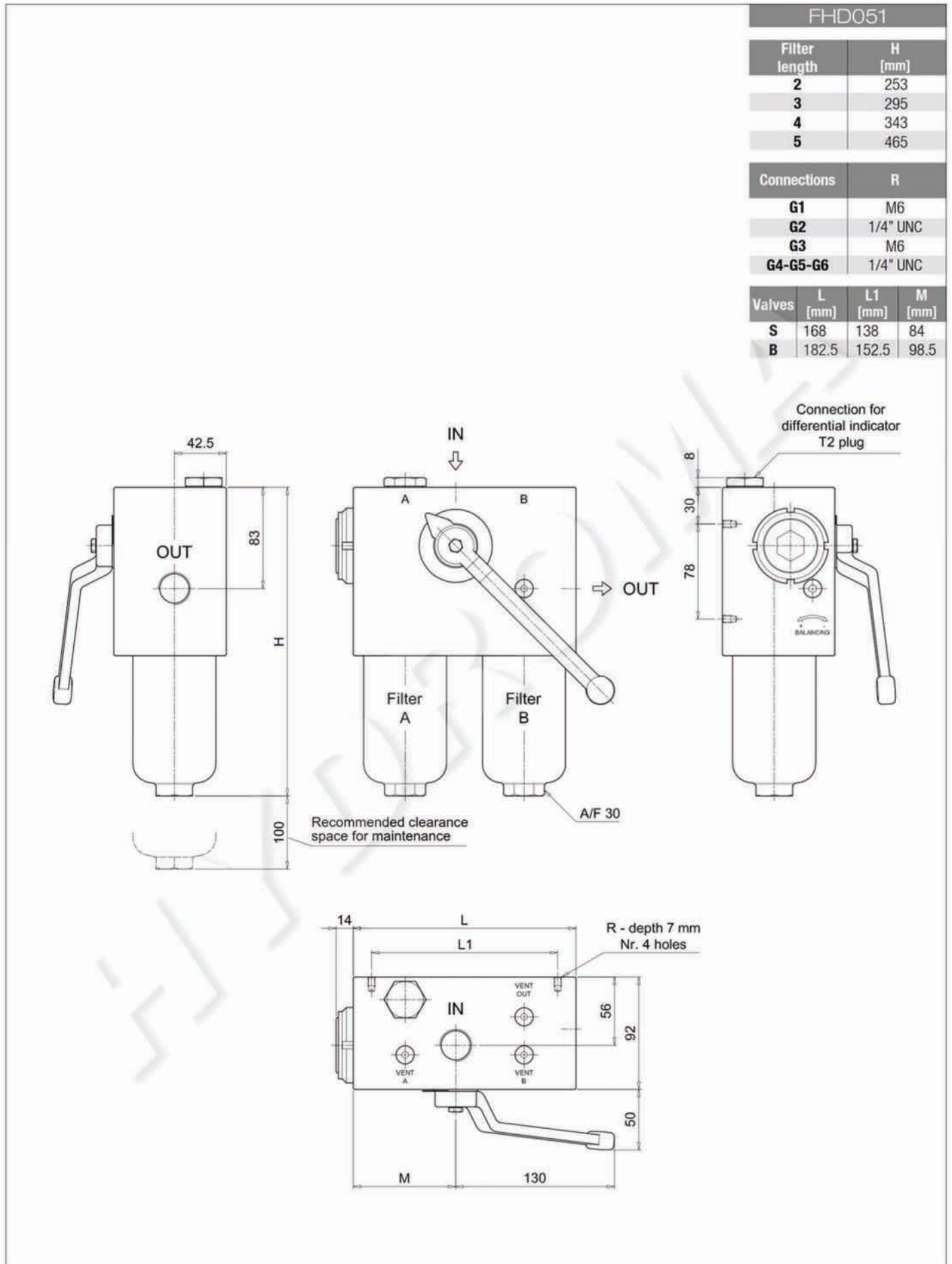
Element Δp	Filtration rating	
	Axx	M25
N 20 bar		•
R 20 bar	•	•
S 210 bar	•	•

Execution	
P01	MP Filtri standard
Pxx	Customized

ACCESSORIES

DEA Electrical differential indicator	page 517	DTA Electronic differential indicator	page 520
DEM Electrical differential indicator	517-518	DVA Visual differential indicator	520
DLA Electrical / visual differential indicator	518-519	DVM Visual differential indicator	520
DLE Electrical / visual differential indicator	519		

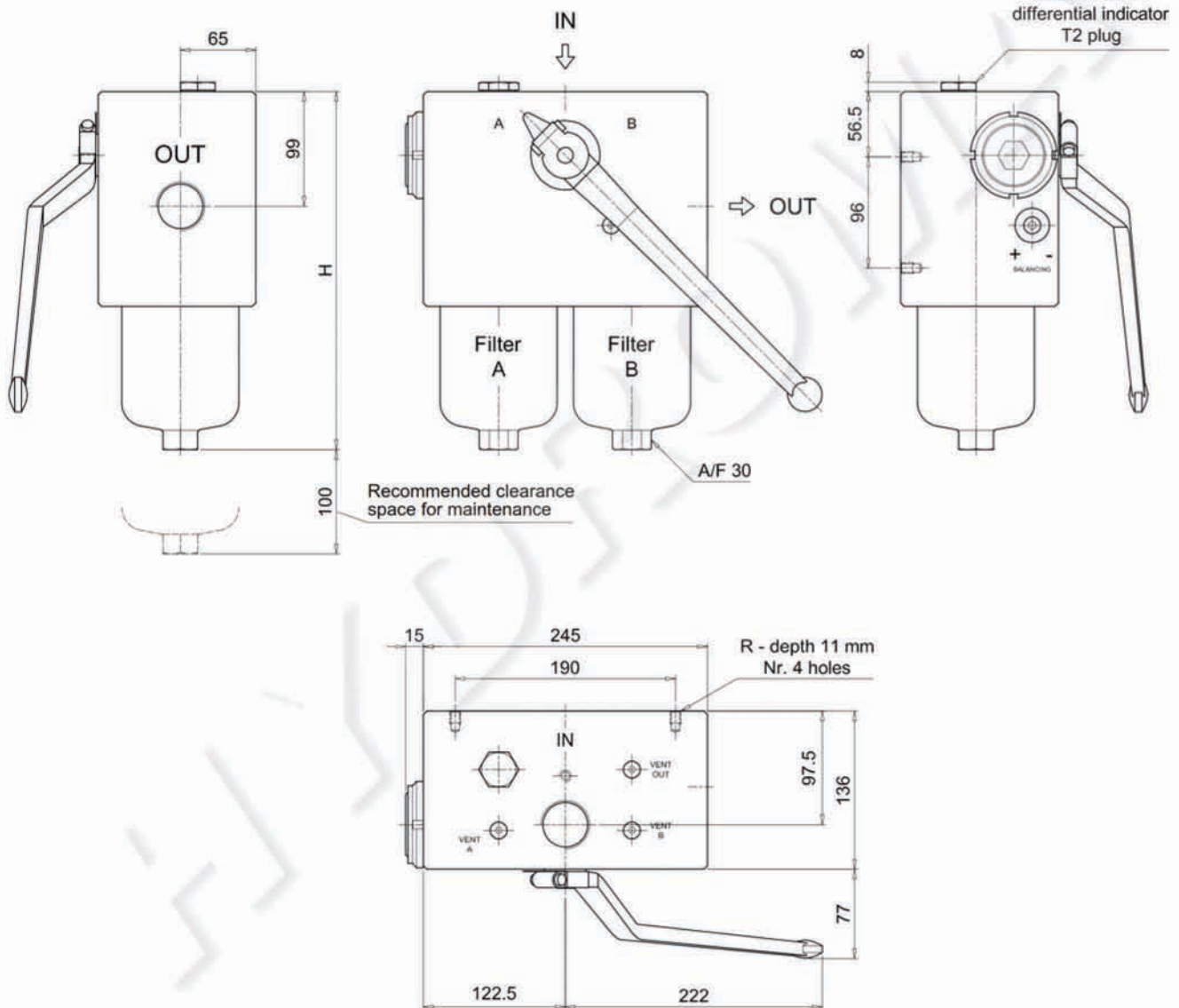
Additional features	page
T2 Plug	521



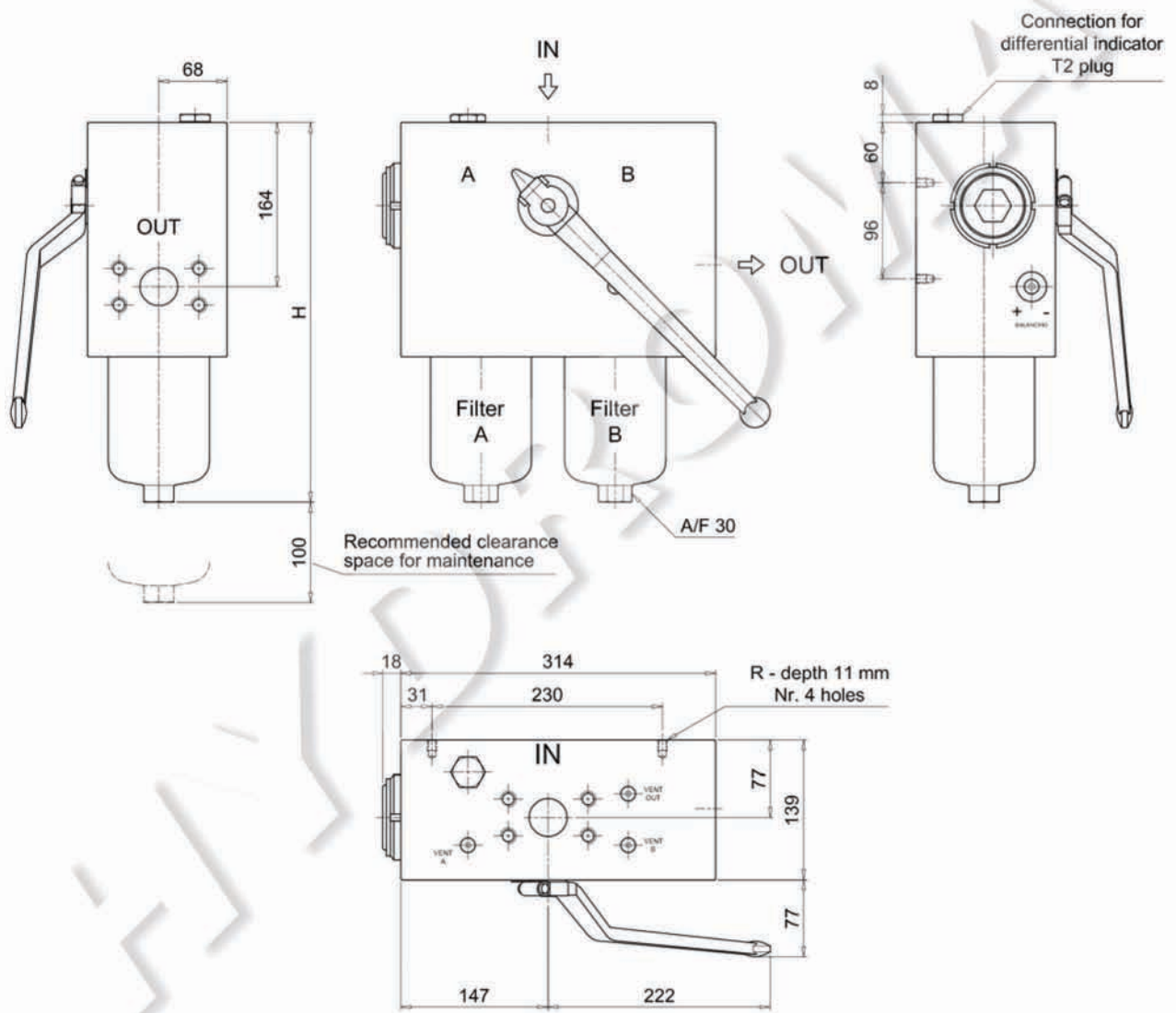
FHD FHD051 - FHD326 - FHD333

Dimensions

FHD326	
Filter length	H [mm]
1	309
2	432
3	564
Connections	R
G1	M10
G2 - G3	3/8" UNC



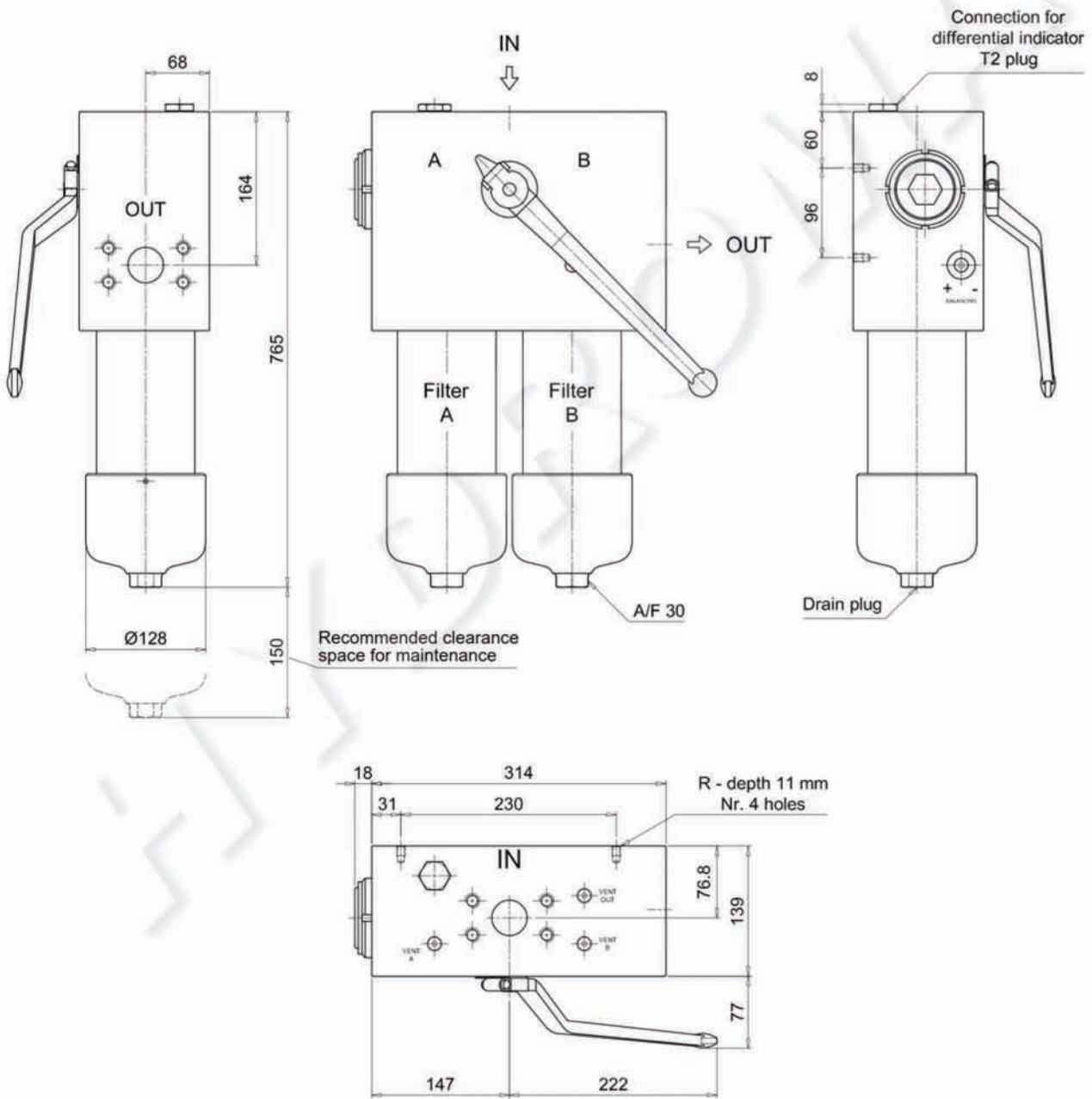
FHD333	
Length 2 - 3	
Filter length	H [mm]
2	479
3	612
Connections	
F1	R
F1	M10
F2	3/8" UNC



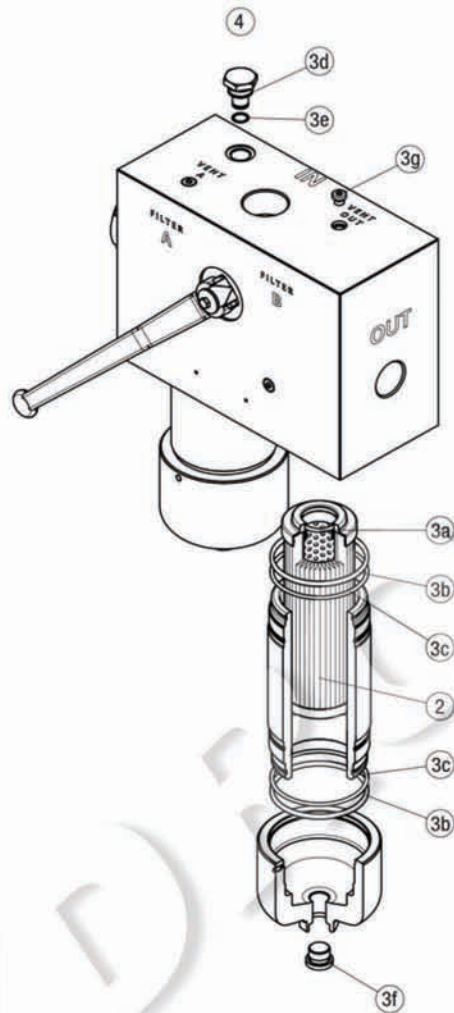
FHD FHD051 - FHD326 - FHD333

Dimensions

FHD333	
Length 4	
Connections	R
F1	M10
F2	3/8" UNC



FHD 021 - 051 - 326 - 333



Item:	Q.ty: 1 pc.	Q.ty: 1 pc.		Q.ty: 1 pc.	
Filter series	Filter element	Seal Kit code number		Indicator connection plug	
FHD 021	See order table	NBR	FPM	NBR	FPM
FHD 051	See order table	02050420	02050421	T2H	T2V
FHD 326 - 333	See order table	02050377	02050378		