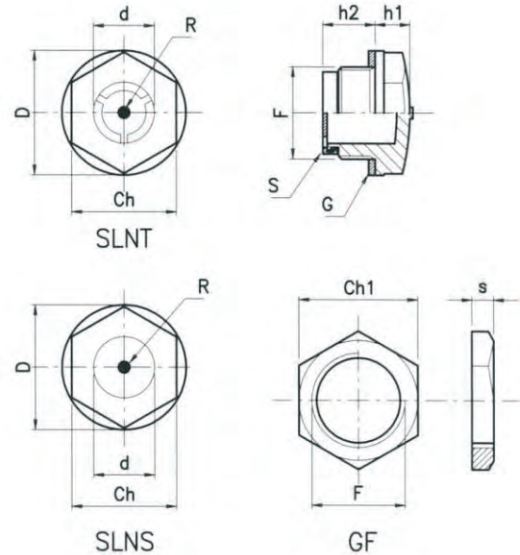


SLNS - OIL LEVEL INDICATORS**SLNT** - OIL LEVEL INDICATORS WITH CONTRAST SCREEN

R= red indicator

G= fiber gasket

S= contrast screen

-Threaded oil level indicators, hex head with shoulder. Utilized in oil tanks, gearboxes and general hydraulic machinery and tools.

-Made from transparent polyamide TROGAMID T which provides good mechanical resistance and is impervious to mineral oil, gasoline, lubricants, petroleum, solvents and most chemical agents (please refer to technical table, page 57). Avoid contact with alcohol based solutions and antifreeze liquids at high temperatures and hot water over 80 °C

-Asbestos-free flat gasket (optional NBR flat seal on request)

-The level indicator features a "hot painted" red point in the center (model SLNS). The model SLNT is provided with a contrast white screen for clearer indication of the oil level.

-Dimensional stability up to temperature of 100°C

-Maximum tightening torque suggested for installation is indicated in the table (Nm)

-For wall thickness less than 5 mm use the brass fixing nuts GF

Code	Ch	F	D	d	h1	h2	Nm	Ch1	s
SLNS/14	17	G 1/4	20,5	12	8	8,50	6÷7		
SLNS/38	SLNT/38	G 3/8	22	12	6,5	12	8÷10	19	5
SLNS/12	SLNT/12	G 1/2	28	16	8	12	12÷14	27	5
SLNS/34	SLNT/34	G 3/4	36	21	8,5	13,5	16÷18	32	6
SLNS/1	SLNT/1	G 1	42	30	9	14	18÷20	36	6
SLNS/114	SLNT/114	G 1 1/4	51	32	10	17		46	6
SLNS/112	SLNT/112	G 1 1/2	58	39	10	21			
SLNS/2	SLNT/2	G 2	74	48	12	20			
SLNS/14.15		M14x1,5	20	12	7,5	8	6÷7		
SLNS/16.15	SLNT/16.15	M16x1,5	22	12	6,5	12,5	8÷10		
SLNS/18.15	SLNT/18.15	M18x1,5	25,5	14	6	12,5	8÷10		
SLNS/20.15	SLNT/20.15	M20x1,5	28	16	7,5	12	12÷14		
SLNS/22.15	SLNT/22.15	M22x1,5	28	16	7,5	12,5	12÷14		
SLNS/40.15	SLNT/40.15	M40x1,5	51	32	10	17			