

Part number:

**HYDROMA**

HYDRAULICKÉ SYSTÉMY

**HIDROMA  
SYSTEMS**

UKŁADY HYDRAULICZNE

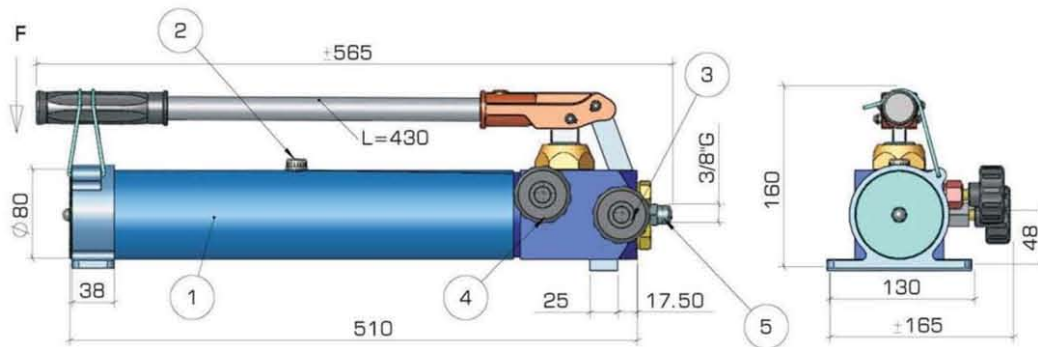
**HYDROMA**

ГИДРАВЛИЧЕСКИЕ СИСТЕМЫ

Hydraulic Hand Pumps - Foot Pedal Pumps  
Air-Hydraulic Pumps - Accessories

**Hydraulic Hand Pump Type GL 2P-Q 150**

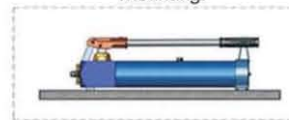
Two speed single acting function pump for single acting cylinder



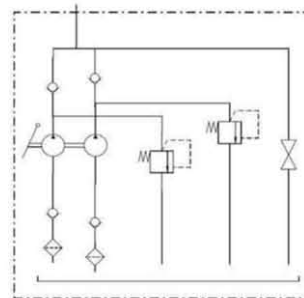
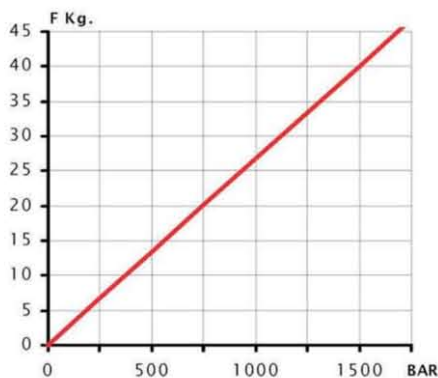
Weight (with oil) kg. ~12

- 1 Tank L. 1,8
- 2 Filler Plug
- 3 Release Handknob
- 4 1°Speed Exclusion Handknob
- 5 Pressure Port

Mounting:



TYPE	DELIVERY cc	PRESSURE Bar
GL 2P/Q 150 1°Speed	17	30
GL 2P/Q 150 2°Speed	1	1500



The GL 2P-Q 150, is similar to the model GL 2P-Q but without automatic switching of speeds.  
The switch-over is obtained by a manual handwheel.  
This is a special pump of remarkable oil flow for pressure up to 1500 bar.

*Dimensions and characteristics not binding. Modifications reserved without prior notice.*