

Part number:

HYDROMA

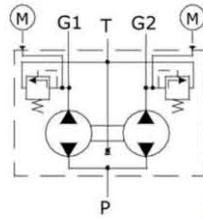
HYDRAULICKÉ SYSTÉMY

**HIDROMA
SISTEMS**

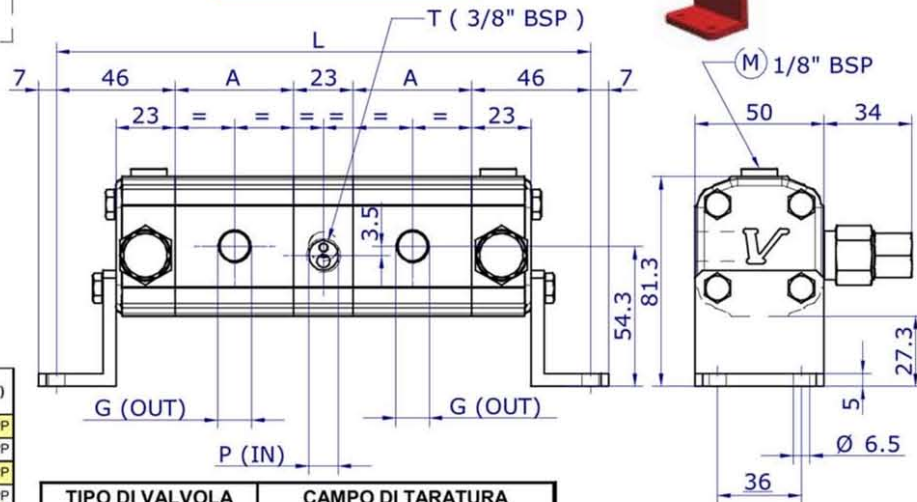
UKŁADY HYDRAULICZNE

HYDROMA

ГИДРАВЛИЧЕСКИЕ СИСТЕМЫ



KV-0DFV



TIPO Type	A	G (OUT)
KV-0DF / 0.25	29.9	1/4" BSPP
KV-0DF / 0.45	31.5	1/4" BSPP
KV-0DF / 0.57	32.5	1/4" BSPP
KV-0DF / 0.76	34	1/4" BSPP
KV-0DF / 0.98	35.5	1/4" BSPP
KV-0DF / 1.27	38	1/4" BSPP
KV-0DF / 1.52	40	1/4" BSPP
KV-0DF / 2.30	46	1/4" BSPP

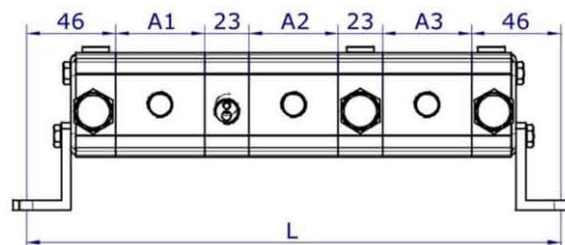
TIPO DI VALVOLA VALVE TYPE	CAMPO DI TARATURA SETTING RANGE	
	CODE 01	CODE 02
VM 25DIF	20 ÷ 140 bar	70 ÷ 315 bar

P (N x IN) BSPP

TIPO Type	NUMERO DI ELEMENTI CHE COMPONGONO IL DIVISORE QUANTITY OF ELEMENTS COMPOSING THE DIVIDER															
	2	3	4	5	6	7	8	9	10	11	12	13	14	15	16	
0DF / 0.25	1 x 1/4"	1 x 1/4"	1 x 1/4"	1 x 1/4"	1 x 1/4"	2 x 1/4"	2 x 1/4"	2 x 1/4"	2 x 1/4"	2 x 1/4"	2 x 1/4"	2 x 3/8"	2 x 3/8"	2 x 3/8"	2 x 3/8"	
0DF / 0.45	1 x 1/4"	1 x 1/4"	1 x 1/4"	1 x 1/4"	1 x 1/4"	2 x 1/4"	2 x 1/4"	2 x 1/4"	2 x 1/4"	2 x 1/4"	2 x 1/4"	2 x 3/8"	2 x 3/8"	2 x 3/8"	2 x 3/8"	
0DF / 0.57	1 x 1/4"	1 x 1/4"	1 x 1/4"	1 x 1/4"	1 x 1/4"	2 x 1/4"	2 x 1/4"	2 x 1/4"	2 x 1/4"	2 x 1/4"	2 x 1/4"	2 x 3/8"	2 x 3/8"	2 x 3/8"	2 x 3/8"	
0DF / 0.76	1 x 1/4"	1 x 1/4"	1 x 1/4"	1 x 3/8"	1 x 3/8"	2 x 1/4"	2 x 1/4"	2 x 1/4"	2 x 1/4"	2 x 1/4"	2 x 1/4"	2 x 3/8"	2 x 3/8"	2 x 3/8"	2 x 3/8"	
0DF / 0.98	1 x 1/4"	1 x 1/4"	1 x 1/4"	1 x 3/8"	1 x 3/8"	2 x 1/4"	2 x 1/4"	2 x 3/8"	2 x 3/8"	2 x 3/8"	2 x 3/8"	3 x 3/8"	3 x 3/8"	3 x 3/8"	3 x 3/8"	
0DF / 1.27	1 x 1/4"	1 x 1/4"	1 x 1/4"	1 x 3/8"	1 x 3/8"	2 x 1/4"	2 x 1/4"	2 x 3/8"	2 x 3/8"	2 x 3/8"	2 x 3/8"	3 x 3/8"	3 x 3/8"	3 x 3/8"	3 x 3/8"	
0DF / 1.52	1 x 1/4"	1 x 1/4"	1 x 1/4"	1 x 3/8"	1 x 3/8"	2 x 3/8"	2 x 3/8"	2 x 3/8"	2 x 3/8"	2 x 3/8"	2 x 3/8"	3 x 3/8"	3 x 3/8"	3 x 3/8"	3 x 3/8"	
0DF / 2.30	1 x 1/4"	1 x 1/4"	1 x 3/8"	1 x 3/8"	1 x 3/8"	2 x 3/8"	2 x 3/8"	2 x 3/8"	2 x 3/8"	2 x 3/8"	2 x 3/8"	3 x 3/8"	3 x 3/8"	3 x 3/8"	3 x 3/8"	

$$L = (n-1) \times 23 + 92 + A1 + A2 + A3 + \dots + An$$

n = Numero di elementi del Divisore
n = Number of elements making up Divider



ESEMPIO:

Per ottenere la lunghezza totale (L) di un divisore a tre elementi (n=3), di TIPO KV-0DFV/0.76 x 3
 $L = (n-1) \times 23 + 92 + A1 + A2 + A3 = (3-1) \times 23 + 92 + 34 + 34 + 34 = 240 \text{ mm}$

EXAMPLE:

To obtain the total length (L) of a three-element divider (n=3), the element being TYPE KV-0DFV/0.76 x 3
 $L = (n-1) \times 23 + 92 + A1 + A2 + A3 = (3-1) \times 23 + 92 + 34 + 34 + 34 = 240 \text{ mm}$