

Part number:

HYDROMA

HYDRAULICKÉ SYSTÉMY

**HIDROMA
SYSTEMS**

UKŁADY HYDRAULICZNE

HYDROMA

ГИДРАВЛИЧЕСКИЕ СИСТЕМЫ

RE 18332-42/12.09

1/4

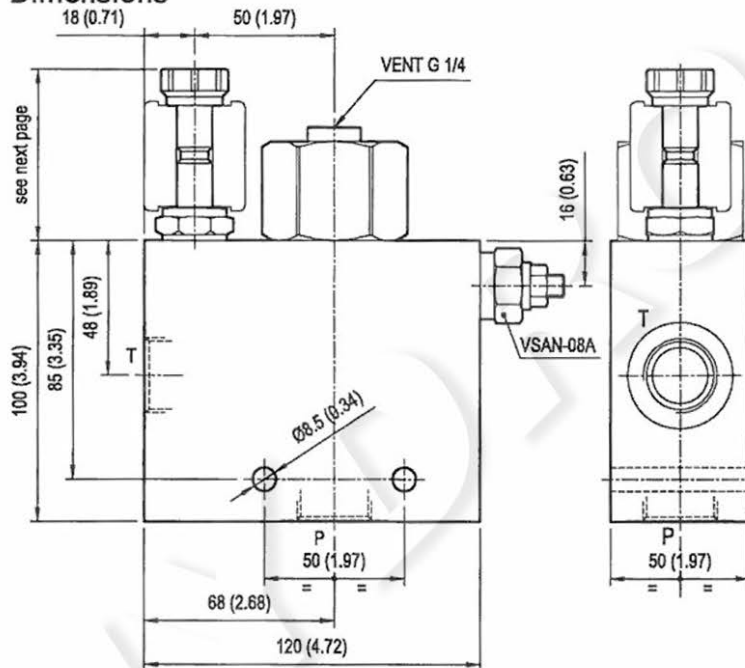
Replaces: RE 00199/11.07

Standard integrated circuits solenoid operated ventable relief valve

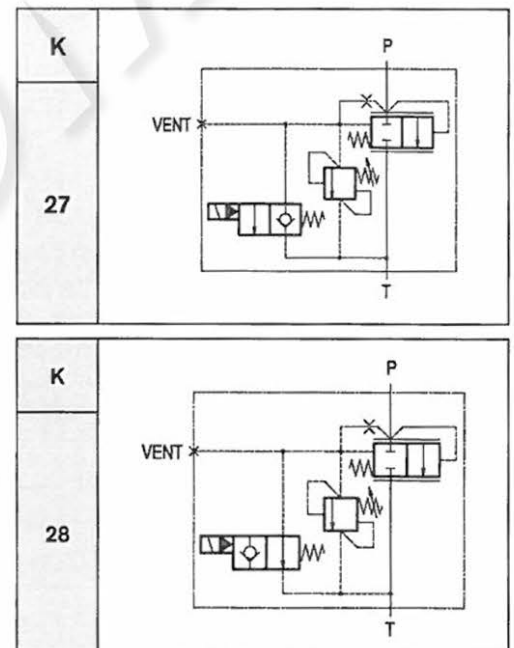
VSP-19-VEI8A

OL - K - Y - Z - W - 00

Dimensions



[mm (inches)]



Technical data

Max flow: up to 200 l/min (53 gpm)

Max operating pressure: 210 bar (3000 psi)

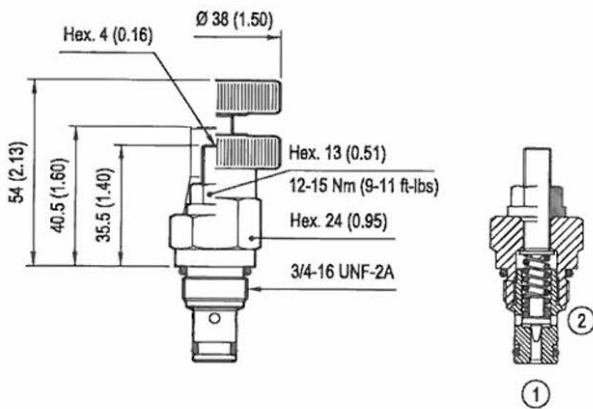
Standard manifolds in high strength aluminium.

For working pressure up to 350 bar (5000 psi) and for fatigue applications with any working pressure, steel manifolds are available upon request.

Weight: 1.3 kg (2.9 lbs)

These integrated circuit contains one relief valve type VSAN-08A operating from P to T and one solenoid valve type VEI-8A (see next page).

VSAN-08A Cartridge valve (code 04.11.48.X.56.Z)



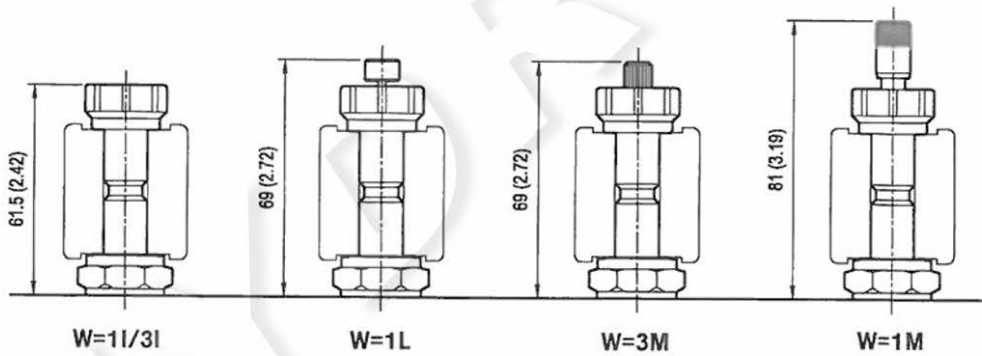
Z		VSAN-08A SETTING		
		Adj. pressure range bar (psi)	Press. increase bar/turn (psi/turn)	Std. setting bar (psi) (Q=5 l/min)
	01	35-140 (500-2000)	48 (696)	100 (1450)
	04	105-210 (1500-3000)	88 (1276)	200 (2900)
	07	140-420 (2000-6000)	140 (2030)	350 (5000)
	08	35-350 (500-5000)	68 (986)	350 (5000)

ADJUSTMENTS	OPTIONS
Leakproof hex. socket screw	 Ordering code 11.04.23.002
Handknob and locknut	

VSAN-08A TECHNICAL DATA
See table "Z", for other details see data sheet RE 18318-01

[mm (inches)]

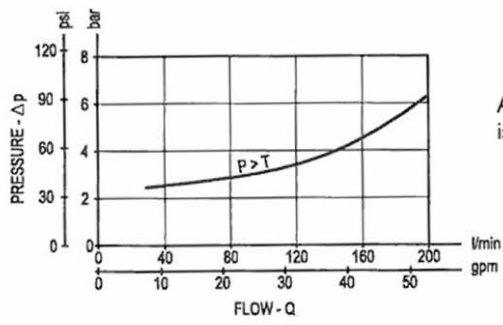
VEI-8A Solenoid cartridge valve (code OD.15.K.18...)



[mm (inches)]

W	MANUAL OVERRIDE OPTIONS		VEI-8A TECHNICAL DATA	
	K = 27	K = 28		
1I	/	No override	Internal leakage:	100 cm ³ /min (0.06 inch ³ /min)
1L	/	Push style	Filtration:	25 µm nominal or better
1M	/	Push and twist style	Minimum voltage required:	90% of nominal value
3I	No override	/	Coil:	S8-356 (must be ordered separately) (see data sheet RE 18325-90)
3M	Knob style	/	For other details see cartridge data sheet	

Performance graph



A pressure of approximately 2 bar (29 psi) is required to open the main poppet.

Ordering code

OL	K	Y	Z	W	00
----	---	---	---	---	----

Solenoid operated valves
standard integrated circuits
solenoid operated ventable
relief valve

Hydraulic schemes (see page 1)

Manual override options
(see table on page 2)

Port sizes	P - T	
= 04	G 3/4	
= 05	G 1	

VSAN-80A setting
(see table on page 2)

Preferred types (readily available)

Type	Material number	Type	Material number
OL2704073I00S0	R934001289	OL2805071A0000	R934002599
OL2804011I0000	R934002573		
OL2804041I0000	R934002578		
OL2804041L0000	R934002579		
OL2804041M0000	R934003303		
OL2804071I0000	R934002586		
OL2804071M0000	R934002588		
OL2805011L0000	R934002590		
OL2805041I0000	R934002594		
OL2805041L0000	R934002595		
OL2805041M0000	R934002596		
OL2805071I0000	R934002600		
OL2805081L0000	R934002601		

Further types available by request