

Part number:

HYDROMA

HYDRAULICKÉ SYSTÉMY

**HIDROMA
SYSTEMS**

UKŁADY HYDRAULICZNE

HYDROMA

ГИДРАВЛИЧЕСКИЕ СИСТЕМЫ

Accessories

Accessories



OIL TANK ACCESSORIES

TM**AIR FILTERS FILLER BREATHERS**

Tank connection:
threaded, DIN 24557/2, welding

Flow rates: 150 ÷ 750 l/min

Filtering ratio: 10 μ - 40 μ

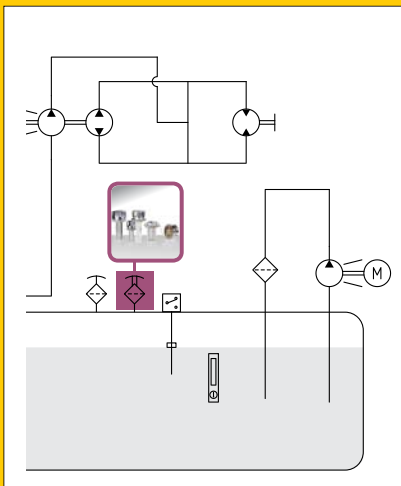
MATERIALS

Housing, flange and basket:
zinc plated steel

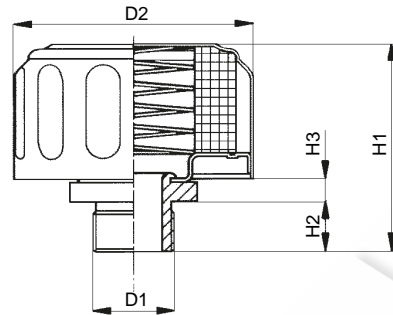
Filter element (not replaceable):

Paper 10 μ m

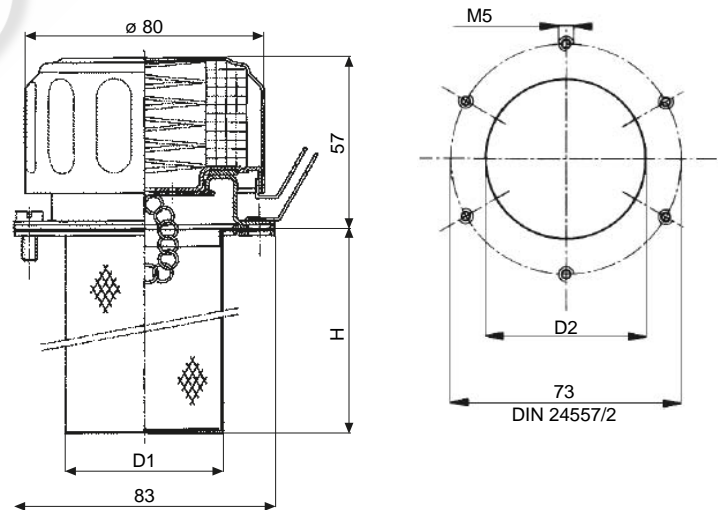
Polyurathan foam 40 μ m

**DIMENSIONAL LAYOUT**

(mm)

Air breather threaded plug

Type	μ m	D1	D2	H1	H2	H3	CH	Flow Rates (l/min)
TM 150 B1	10	1/4" GAS	47	45	12	7	19	150
TM 450 B1	40	1/4" GAS	47	45	12	7	19	300
TM 178 B4	10	3/4" GAS	76,2	65,7	16	7	35	450
TM 478 B4	40	3/4" GAS	76,2	65,7	16	7	35	750

Air breather filling plug - flange connection

Padlock holder add suffix "L"

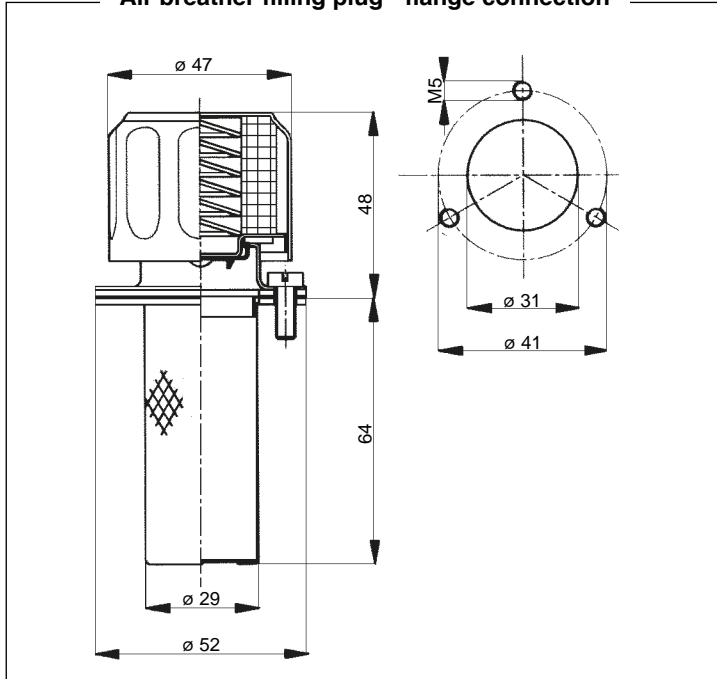
*TM 178 G100 and TM 478 G100 without chain

Type	μ m	D1	D2	H	Flow Rates (l/min)
TM 178 G78	10	50	52	78	450
TM 478 G78	40	50	52	78	750
TM 178 G150	10	50	52	148	450
TM 478 G150	40	50	52	148	750
*TM 178 G100	10	38	40	100	450
*TM 478 G100	40	38	40	100	750

DIMENSIONAL LAYOUT

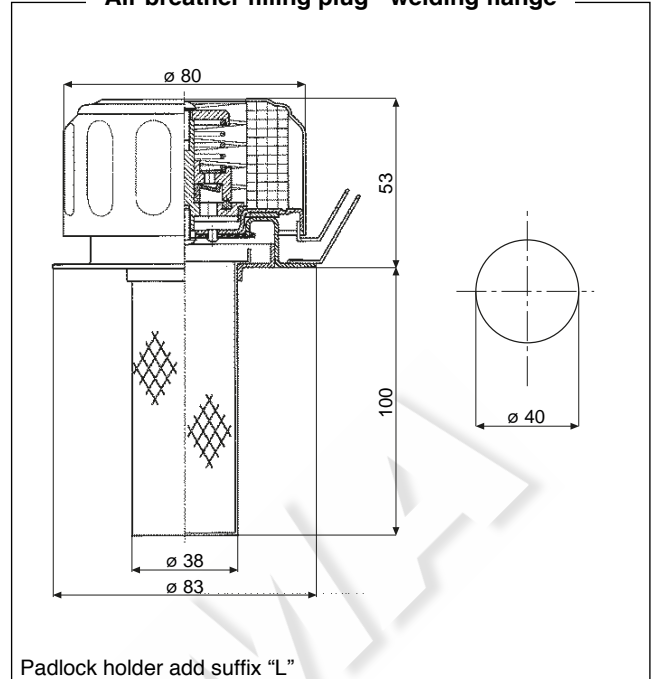
(mm)

Air breather filling plug - flange connection



Type	µm	Flow Rates (l/min)
TM 150 G65	10	150
TM 450 G65	40	300

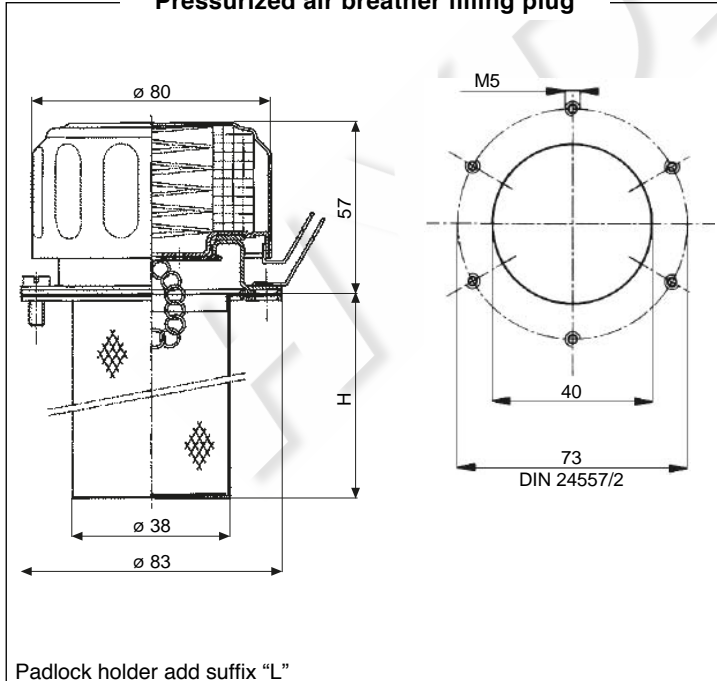
Air breather filling plug - welding flange



Padlock holder add suffix "L"

Type	µm	Flow Rates (l/min)	Pressure valve
TM 178 GS100	10	150	-
TM 478 GS100	40	300	-
TM 178 GS100P3	10	450	35 kPa (0,35 bar)
TM 478 GS100P3	40	750	35 kPa (0,35 bar)

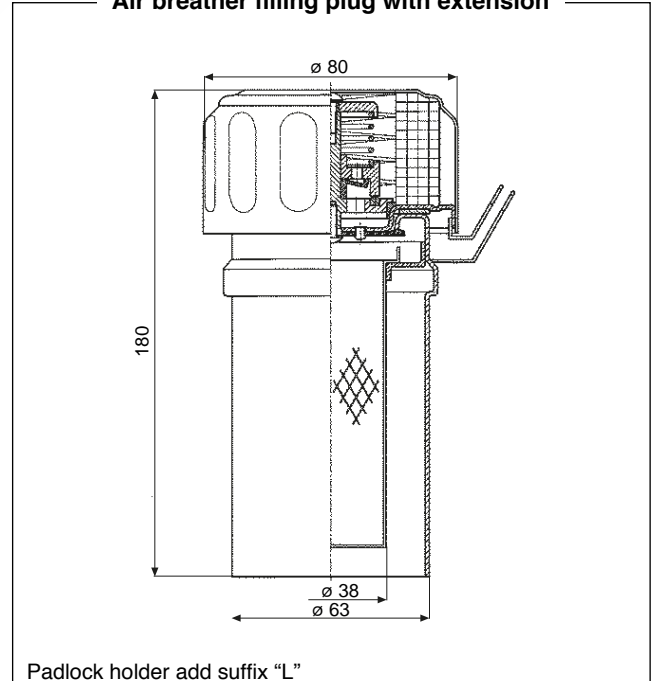
Pressurized air breather filling plug



Padlock holder add suffix "L"

Type	µm	Flow Rates (l/min)	Pressure valve
TM 178 G100P3	10	450	35 kPa (0,35 bar)
TM 478 G100P3	40	750	35 kPa (0,35 bar)

Air breather filling plug with extension



Padlock holder add suffix "L"

Type	µm	Flow Rates (l/min)	Pressure valve
TM 178 T100	10	450	-
TM 478 T100	40	750	-
TM 178 T100P3	10	450	35 kPa (0,35 bar)
TM 478 T100P3	40	750	35 kPa (0,35 bar)

TSP

AIR BREATHER FILTER

TECHNICAL DATA

Flow rate: 1.800 l/min

Working temperature: $-25^{\circ}\text{C} \div +110^{\circ}\text{C}$

MATERIALS

Housing: plastic

Basket: plastic

Seals: NBR

SPARE FILTER ELEMENT

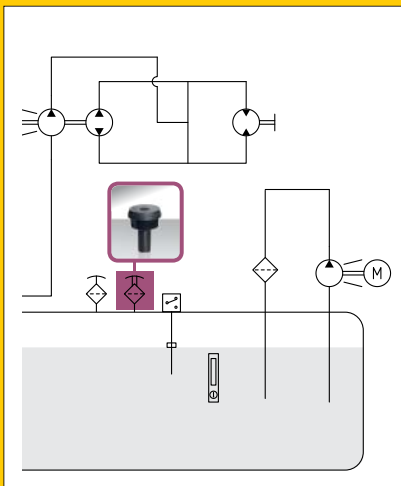
Type CSP120CD1: Cellulose

Filtration degree (in air): $3\mu\text{m}$

COMPATIBILITY (ISO 2943:1999)

Full with fluids: HH-HL-HM-HV-HTG
(according to ISO 6743/4).

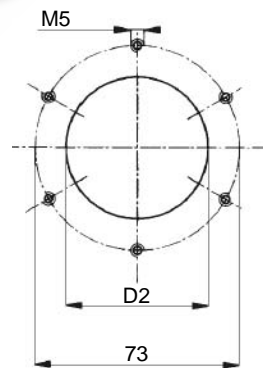
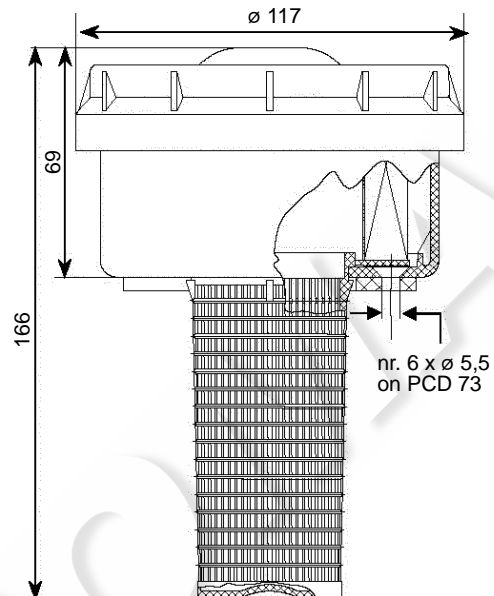
For fluids different than the above mentioned, please contact our Sales Department.



DIMENSIONAL LAYOUT

(mm)

TSP120CD1SS0S
Air filler breather
with replaceable element



tank connection:
DIN 24557-2

ETT 02125

EXTENSION TUBE

FOR FILLER BREATHERS

Very helpful to avoid oil leakage from the breather due to oil vapors or tilt of the tank.

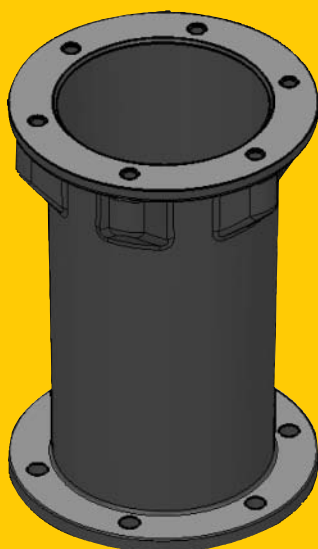
Fits any filler breather with DIN 24557-2 flange.

MATERIALS

Tube: Polyamide

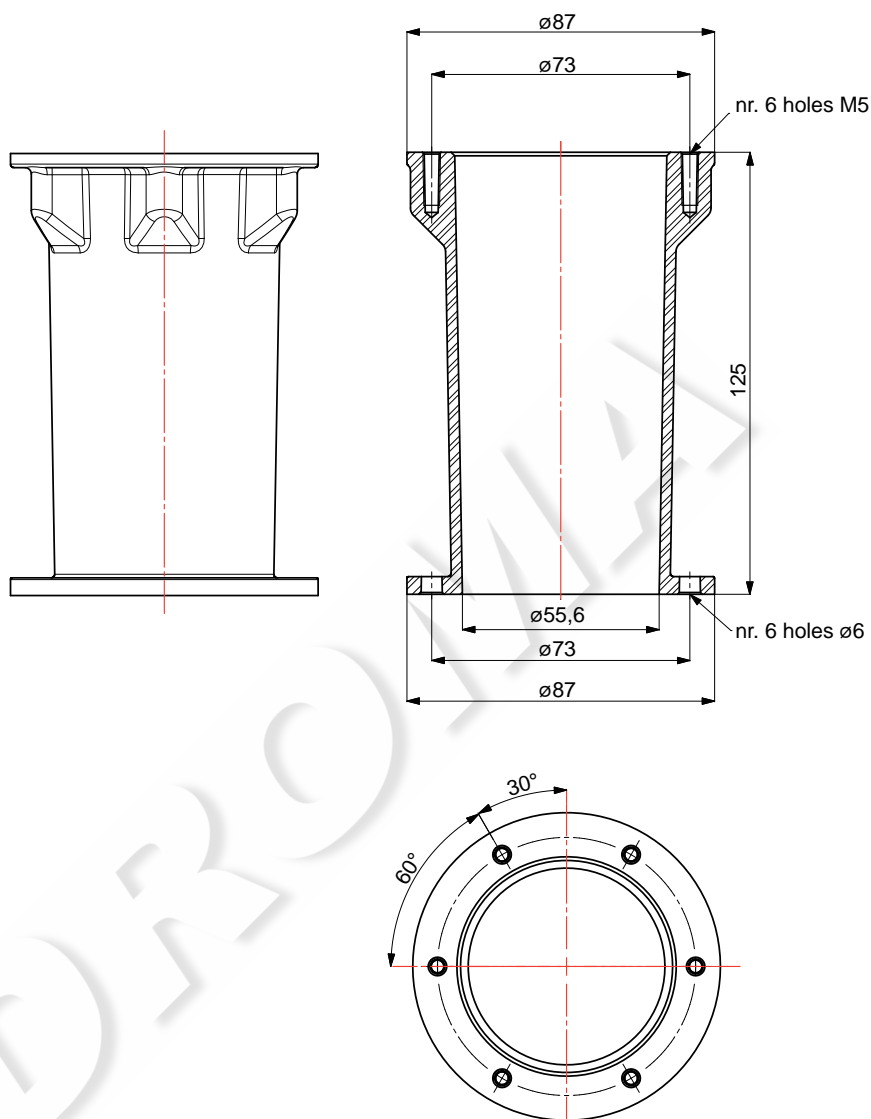
Gaskets: NBR Nitrile

Screws: Zinc plated steel



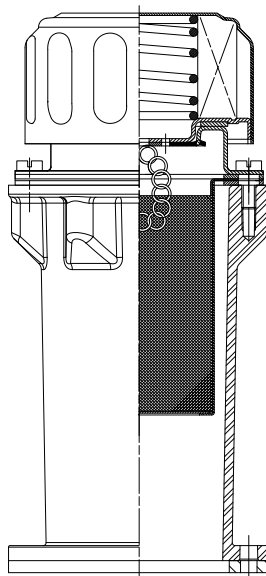
DIMENSIONAL LAYOUT

(mm)

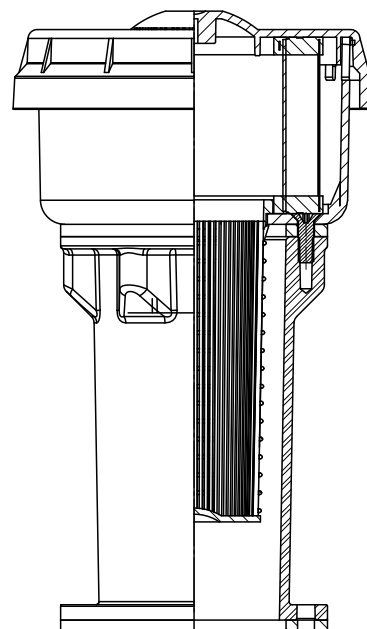


Both flanges according to DIN 24557-2

Example with TM478G78



Example with TSP120CD1SS0S



SBB

SPIN-ON AIR FILTER

Flow rates: 1.800 ÷ 2.800 l/min
 Filtering ratio: 1,2 - 3 μ

TECHNICAL DATA

Working temperature: -25°C ÷ +110°C

MATERIALS

Adaptor: zinc plated steel
 Basket: zinc plated steel
 Cartridge can: steel

SPARE FILTER ELEMENT

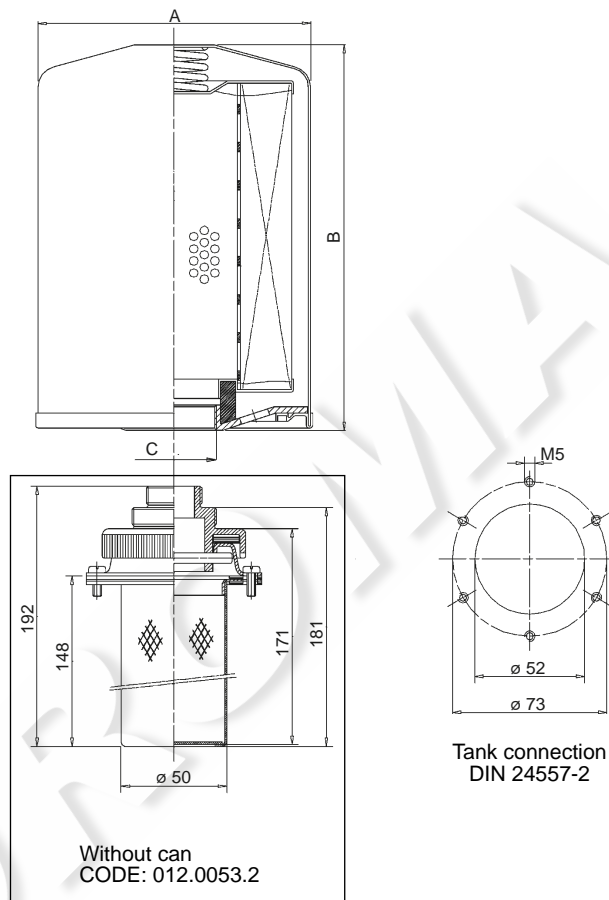
CD = cellulose
 FD = inorganic fiber

COMPATIBILITY (ISO 2943:1999)

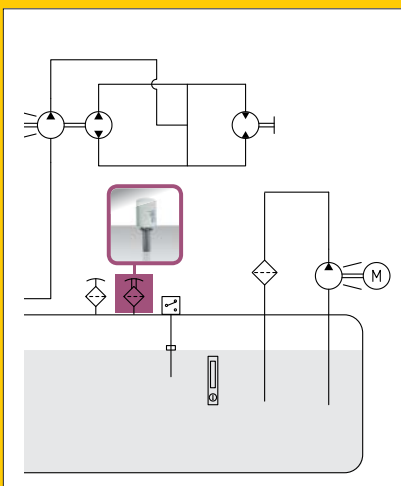
Full with fluids: HH-HL-HM-HV-HTG
 (according to ISO 6743/4).
 For fluids different than the above
 mentioned, please contact our
 Sales Department.

DIMENSIONAL LAYOUT

(mm)



Type	Cartridge FD = 1,2 μ CD = 3 μ	Flow Rates (l/min)	A	B	C
SBB151 □□	CCA151 □□	1800	95	145	3/4" BSP
SBB152 □□	CCA152 □□	1800	95	190	3/4" BSP
SBB301 □□	CCA301 □□	2800	129	180	1 1/4" BSP
SBB302 □□	CCA302 □□	2800	129	226	1 1/4" BSP



LS

VISUAL LEVEL INDICATOR

TECHNICAL DATA

Max. working pressure: 100 kPa (1 bar)
 Working temperature: -20°C ÷ +90°C
 Screw bolt tightening torque: 10 Nm

MATERIALS

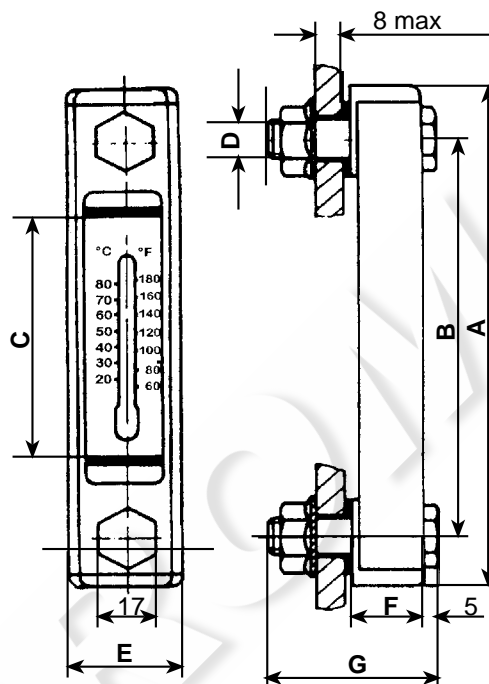
Transparent part: Trogamid T
 Bowl: external protection
 Fixing bolts: zinc plated steel
 Seals: standard NBR
 on request FKM

COMPATIBILITY (ISO 2943:1999)

Full with fluids: HH-HL-HM-HV-HTG
 (according to ISO 6743/4).
 For fluids different than the above
 mentioned, please contact our
 Sales Department.

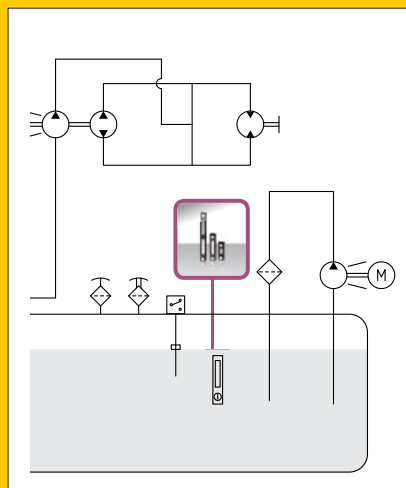
DIMENSIONAL LAYOUT

(mm)



Change 1 into 2 the 6th digit of the code for FKM seals.

Type	A	B	C	D	E	F	G
LS 076 1-T-M10	108	76	32	M10	35	24	50
LS 076 1-T-M12	108	76	32	M12	35	24	50
LS 127 1-T-M10	160	127	78	M10	35	24	50
LS 127 1-T-M12	160	127	78	M12	35	24	50
LS 254 1-T-M10	286	254	202	M10	35	24	50
LS 254 1-T-M12	286	254	202	M12	35	24	50



LME FLOAT SWITCHES

Note: the float switch must be mounted at min 50 mm from ferrous walls.
Max oil viscosity: 150 cSt

MATERIALS

Tank connection: anodized aluminium
Rod: stainless steel
Float: polyamide

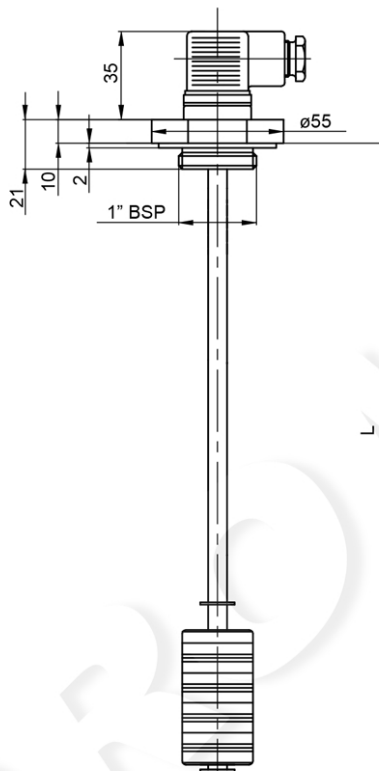
COMPATIBILITY (ISO 2943:1999)

Full with fluids: HH-HL-HM-HV-HTG-HFC
(according to ISO 6743/4).

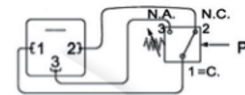
For fluids different than the above mentioned, please contact our Sales Department.

DIMENSIONAL LAYOUT

(mm)



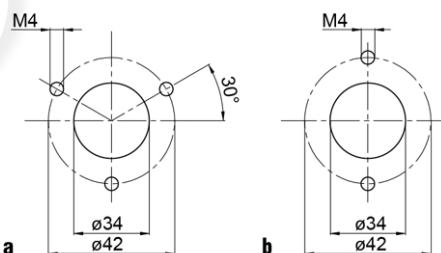
ELECTRICAL DATA



SPDT Reed switch

Max load AC up to 48 V - 0,5 A
Maxload DC up to 48 V - 0,5 A
Connector DIN 43650
Protection DIN 40050: IP 65

Type	L
LME 150 B5F	150
LME 200 B5F	200
LME 250 B5F	250
LME 350 B5F	350
LME 400 B5F	400
LME 500 B5F	500



Tank mounting
pattern possibilities:

- 1" BSP thread
- nr. 3 holes (a)
- nr. 2 holes (b)

