

Part number:

**HYDROMA**

HYDRAULICKÉ SYSTÉMY

**HIDROMA  
SYSTEMS**

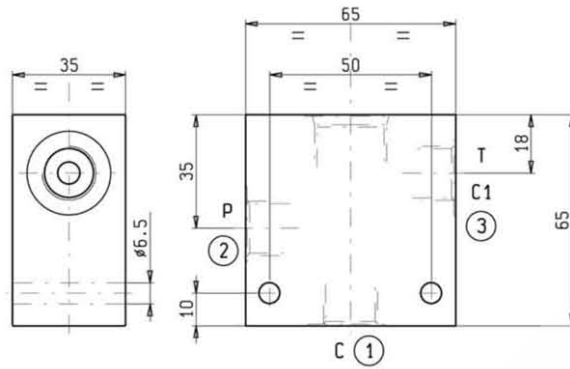
UKŁADY HYDRAULICZNE

**HYDROMA**

ГИДРАВЛИЧЕСКИЕ СИСТЕМЫ

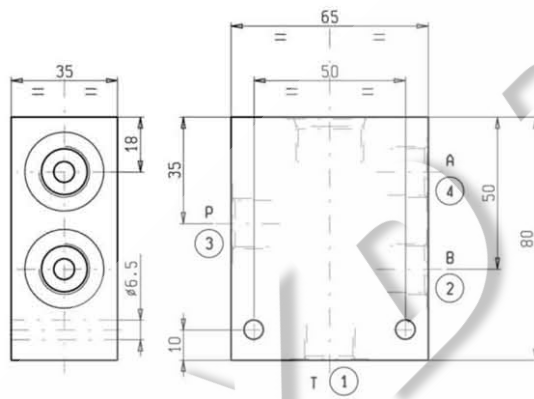
**STANDARD MANIFOLDS**

**3 WAY - 4 WAY ALUMINUM SIZE 09**



CAVITY **077-E**  
Dimensions on page 7.01.14

ORDERING CODE	PORTS P-C-C1-T	WEIGHT Kg
<b>OC.10.09.116</b>	G 1/4	0.170
<b>OC.10.09.115</b>	G 3/8	0.170



CAVITY **078-E**  
Dimensions on page 7.01.14

ORDERING CODE	PORTS A-B-P-T	WEIGHT Kg
<b>OC.10.09.117</b>	G 1/4	0.170
<b>OC.10.09.118</b>	G 3/8	0.170

**MAX. PRESSURE 250 bar**

**FEATURES**

- Standard manifolds in high-strength aluminum TA-7020 for working pressures up to 250 bar.